



**DARSHANA<sup>®</sup>**  
**INDUSTRIES PVT. LTD.**

Outline your needs, we will do the rest

**Pull Knob**

page  
A 120-123

**Thumb Knob**

page  
A 126-127

**Winged Knob**

page  
A 154-156

**Knurled Knob**

page  
A 124

**Folding Revolving Handle**

page  
A 157

**Lobed Knob**

page  
A 128-153

**Latch Knob**

page  
A 125

**Fixed Handle**

page  
A 158-159

**Revolving Handle**

page  
A 160-161

**Crank Handle**

page  
A 162-166

**Hand Wheel**

page  
A 167-181

**Leveling Base**

page  
A 182-208

**Anti Vibration Leveling Base**

page  
A 209-210

**Leveling Foot Castor**

page  
A 211-212

**Door Stopper**

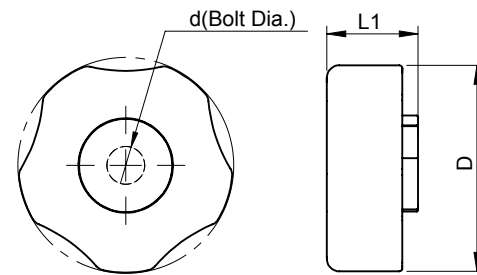
page  
A 213-214

**Index Plunger**

page  
A 215-216

## Handles

## Shell Knob

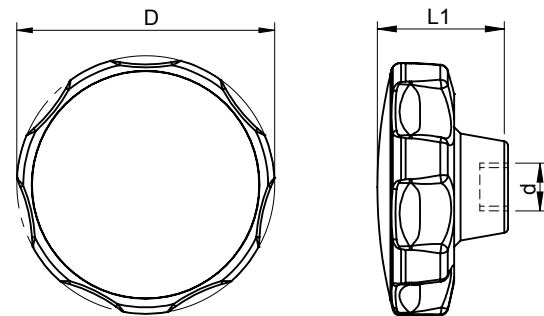


Product Code	Material	Knob Diameter (D)	Bolt Size (d)	Knobe Length (L1)
<b>DK-34-06</b>	Polyamide	34	M6	15.5
<b>DK-40-08</b>	Polyamide	39.5	M8	17.5
<b>DK-44-10</b>	Polyamide	44	M10	21.5

Standard Knob Colour is Black.

Standard Cap Colour is Black.

Blue, Orange & Green Caps are available on minimum order of 100 nos each.



Product Code	Material	Knob Diameter (D)	Bolt Size (d)	Knobe Length (L1)
<b>DKC-45-08</b>	Polyamide	45	M8	22.5
<b>DKC-55-10</b>	Polyamide	55	M10	27.5
<b>DKC-65-12</b>	Polyamide	65	M12	32.5

Standard Knob Colour is Black.

Standard Cap Colour is Black.

Blue, Red, Yellow, Caps are available on minimum order of 100 nos each.

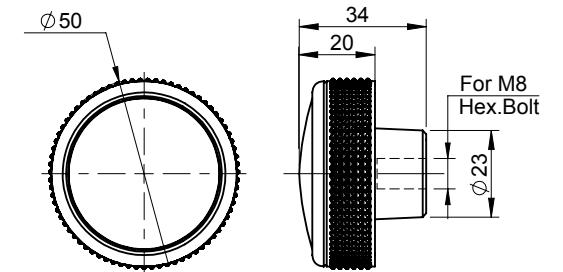
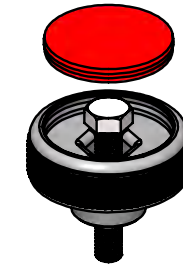
Standard Bolt or Nuts M8, M10 & M12.

Use Bolts & Nuts A/F-(13,17,19).

\*Bolts are shown for application only.

## Handles

## Shell Knob



Product Code	Material
<b>DKC-50-08</b>	Polyamide

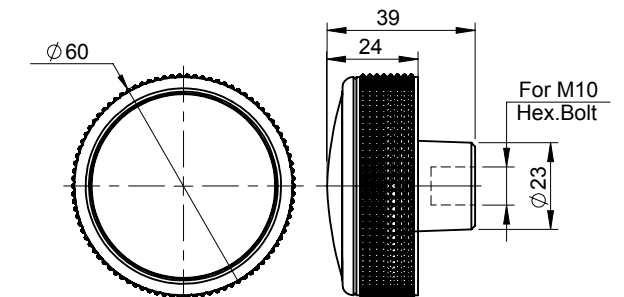
Standard Knob Colour is Black.

Standard Cap Colour is Black.

Blue, Red, Yellow, Caps are available on minimum order of 100 nos each.

Standard Bolt or Nuts : M8.

\*Bolts are shown for application only.



Product Code	Material
<b>DKC-60-10</b>	Polyamide

Standard Knob Colour is Black.

Standard Cap Colour is Black.

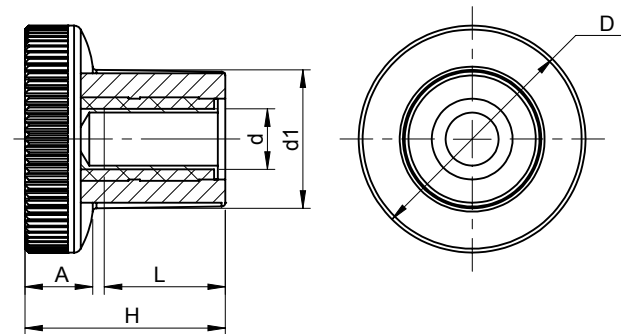
Blue, Red, Yellow, Caps are available on minimum order of 100 nos each.

Standard Bolt or Nuts : M10.

\*Bolts are shown for application only.

## Handles

## Pull Knob

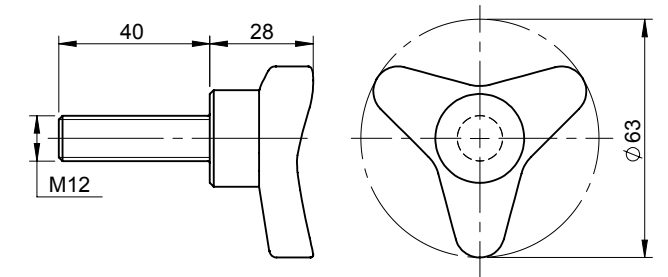


Product Code	Material	Colour	Insert Material	d	L	d1 (Ø)	D (Ø)	A	H
DPK-25-06	Polyamide	Black	MS	M6	10	14.2	25	8	22
DPK-30-08	Polyamide	Black	MS	M8	16	18.3	30	9	26.5

Inserts : M.S. Toughened Blue Zinc Plating.

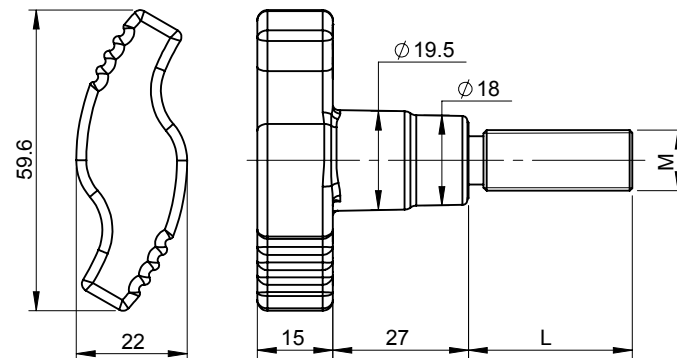
## Handles

## Pull Knob



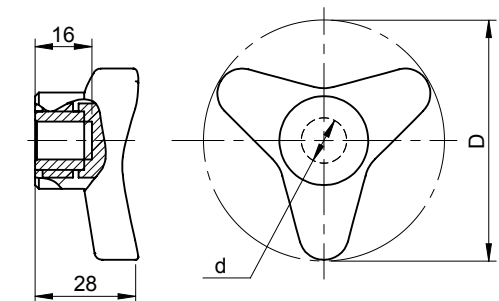
Product Code	Material	Colour	Stud Material	Stud Size	Stud Length
DKTRS-63-12-40	Polyamide	Black	MS	M12	40

Studs : M.S. Toughened Blue Zinc Plating.  
Stainless Steel Studs are also available on minimum order of 100 nos.



Product Code	Material	Colour	Stud Material	Stud Diameter (M)	Stud Length (L)
DPK-60-10-20	Polyamide	Black	MS	M10	20
DPK-60-10-30	Polyamide	Black	MS	M10	30
DPK-60-10-40	Polyamide	Black	MS	M10	40
DPK-60-10-50	Polyamide	Black	MS	M10	50
DPK-60-10-60	Polyamide	Black	MS	M10	60
DPK-60-12-30	Polyamide	Black	MS	M12	30
DPK-60-12-40	Polyamide	Black	MS	M12	40
DPK-60-12-50	Polyamide	Black	MS	M12	50
DPK-60-12-70	Polyamide	Black	MS	M12	70

Studs : M.S. Toughened Blue Zinc Plating.  
Stainless Steel Studs are also available on minimum order of 100 nos.



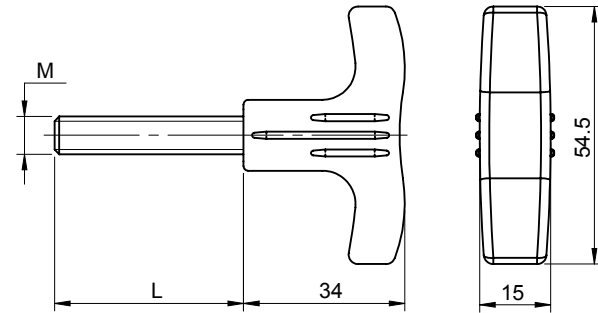
Product Code	Material	Colour	Insert Material	Insert Size (d)
DKTRI-63-06	Polyamide	Black	MS	M6
DKTRI-63-08	Polyamide	Black	MS	M8
DKTRI-63-10	Polyamide	Black	MS	M10
DKTRI-63-12	Polyamide	Black	MS	M12

Inserts : M.S. Toughened Blue Zinc Plating.  
Stainless Steel Inserts are also available on minimum order of 100 nos.



## Handles

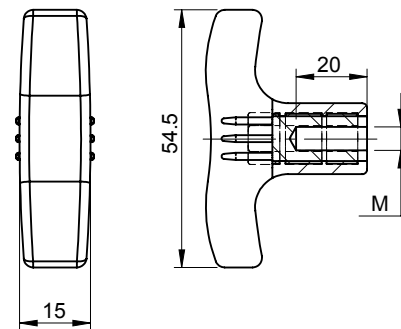
## Pull Knob



Product Code	Material	Colour	Stud Material	Stud Size (M)	Stud Length (L)
DHTS-06-20	Polyamide	Black	MS	M6	20
DHTS-08-16	Polyamide	Black	MS	M8	16
DHTS-08-20	Polyamide	Black	MS	M8	20
DHTS-08-25	Polyamide	Black	MS	M8	25
DHTS-08-40	Polyamide	Black	MS	M8	40
DHTS-08-50	Polyamide	Black	MS	M8	50
DHTS-10-50	Polyamide	Black	MS	M10	50

Studs : M.S. Toughened Blue Zinc Plating.

Stainless Steel Studs are also available on minimum order of 100 nos.



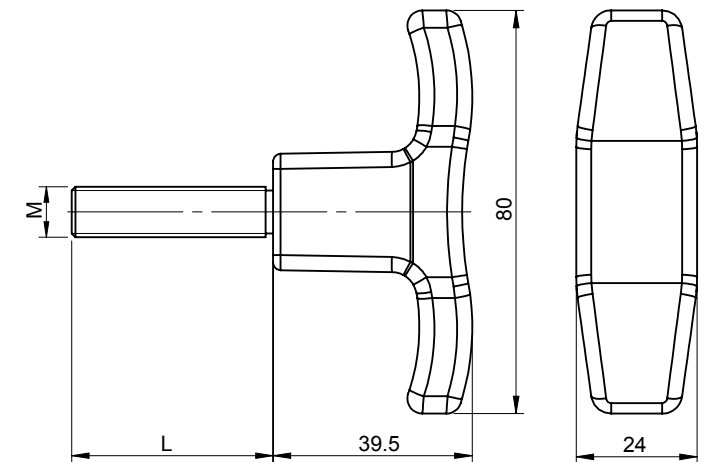
Product Code	Material	Colour	Insert Material	Insert Size (M)
DHTI-06	Polyamide	Black	MS	M6
DHTI-08	Polyamide	Black	MS	M8

Inserts : M.S. Toughened Blue Zinc Plating.

Stainless Steel Inserts are also available on minimum order of 100 nos.

## Handles

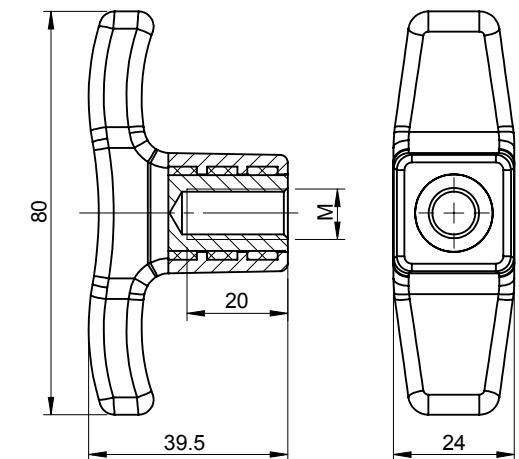
## Pull Knob



Product Code	Material	Colour	Stud Material	Stud Size (M)	Stud Length (L)
DHTS-80-10-40	Polyamide	Black	MS	M10	40
DHTS-80-10-50	Polyamide	Black	MS	M10	50
DHTS-80-10-70	Polyamide	Black	MS	M10	70
DHTS-80-10-90	Polyamide	Black	MS	M10	90
DHTS-80-10-100	Polyamide	Black	MS	M10	100
DHTS-80-12-40	Polyamide	Black	MS	M12	40
DHTS-80-12-50	Polyamide	Black	MS	M12	50
DHTS-80-12-70	Polyamide	Black	MS	M12	70
DHTS-80-12-90	Polyamide	Black	MS	M12	90
DHTS-80-12-100	Polyamide	Black	MS	M12	100

Studs : M.S. Toughened Blue Zinc Plating.

Stainless Steel Studs are also available on minimum order of 100 nos.



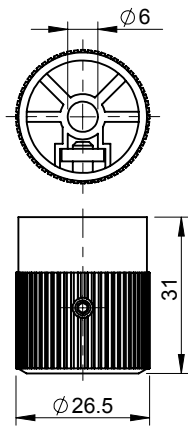
Product Code	Material	Colour	Insert Material	Insert Size (M)
DHTI-80-08	Polyamide	Black	MS	M8
DHTI-80-10	Polyamide	Black	MS	M10
DHTI-80-12	Polyamide	Black	MS	M12

Inserts : M.S. Toughened Blue Zinc Plating.

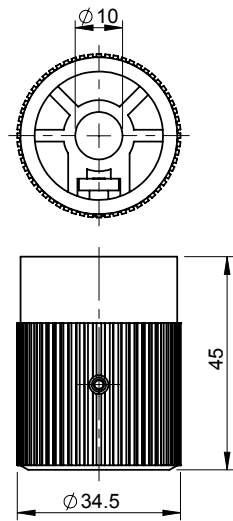
Stainless Steel Inserts are also available on minimum order of 100 nos.

## Handles

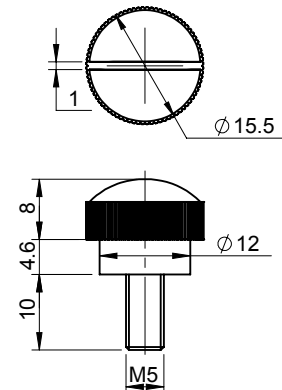
## Knurled Knob



Product Code	Knob Material	Colour
DKK-2630	Polyamide	Black



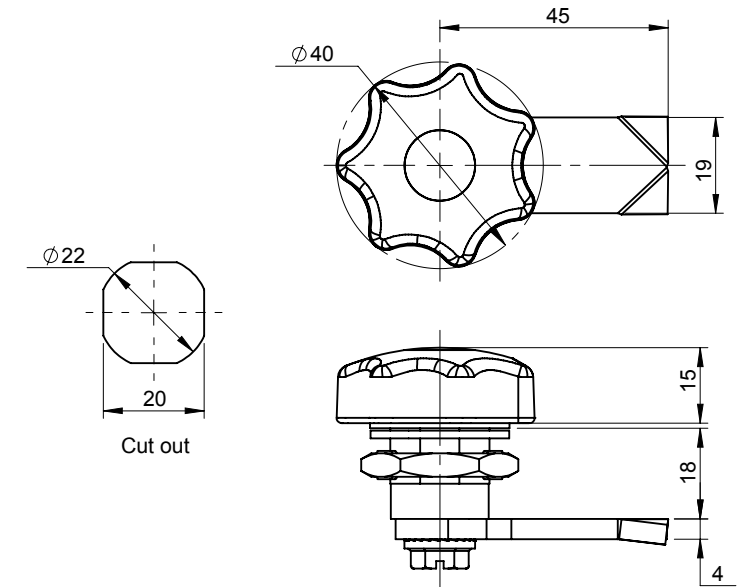
Product Code	Knob Material	Colour
DKK-3445	Polyamide	Black



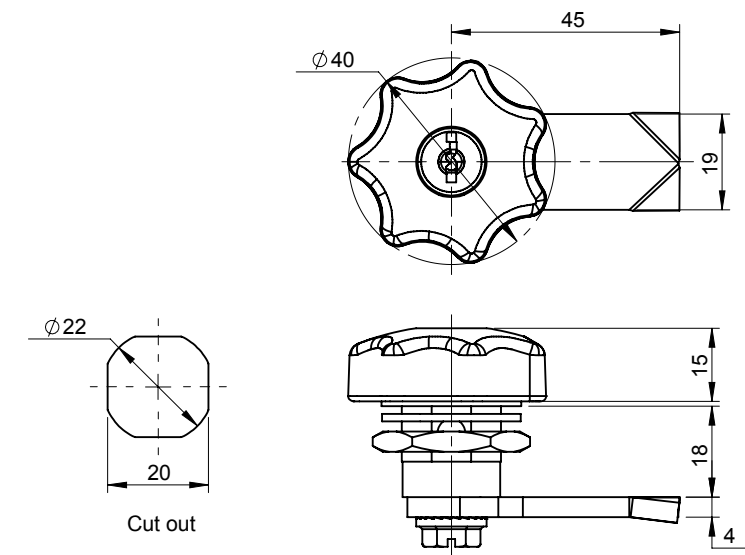
Product Code	Knob Material	Colour
DKS-15-05-10	Polyamide	Black

## Handles

## Latch Knob



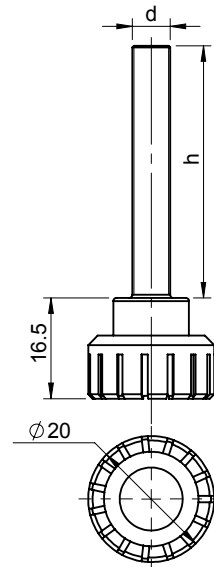
Product Code	Knob Material	Outer Material	Outer Finish	Cam Material	Cam Type	Cam Finish
DMCL-K40-MR	Polyamide	Zinc	CH	MS	Straight Cam	Yellow Zinc Plating
Grips available : 18, 30, 50						
Cam Finish also available in Blue Zinc Plating						



Product Code	Knob Material	Outer Material	Outer Finish	Barrel Material	Barrel Finish	Cam Material	Cam Type	Cam Finish	Key
DMLK7-K40-MR	Polyamide	Zinc	CH	Zinc	CH	MS	Straight Cam	Yellow Zinc Plating	D-2233
Grips available : 18, 30, 50									
Cam Finish also available in Blue Zinc Plating									

## Handles

## Thumb Knob



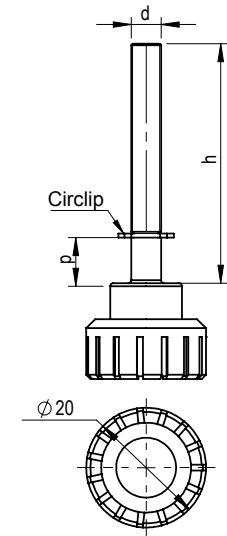
Product Code	Material	Stud Material	Stud Size (d)	Stud Length (h)
DKS-20-03-10	Polyamide	MS	M3	10
DKS-20-03-16	Polyamide	MS	M3	16
DKS-20-04-10	Polyamide	MS	M4	10
DKS-20-04-16	Polyamide	MS	M4	16
DKS-20-04-20	Polyamide	MS	M4	20
DKS-20-04-26	Polyamide	MS	M4	26
DKS-20-05-10	Polyamide	MS	M5	10
DKS-20-05-16	Polyamide	MS	M5	16
DKS-20-05-20	Polyamide	MS	M5	20
DKS-20-05-25	Polyamide	MS	M5	25
DKS-20-05-30	Polyamide	MS	M5	30
DKS-20-05-40	Polyamide	MS	M5	40
DKS-20-06-10	Polyamide	MS	M6	10
DKS-20-06-16	Polyamide	MS	M6	16
DKS-20-06-20	Polyamide	MS	M6	20
DKS-20-06-25	Polyamide	MS	M6	25
DKS-20-06-27	Polyamide	MS	M6	27
DKS-20-06-30	Polyamide	MS	M6	30
DKS-20-06-35	Polyamide	MS	M6	35
DKS-20-06-40	Polyamide	MS	M6	40
DKS-20-06-70	Polyamide	MS	M6	70

Studs : M.S. Toughened Blue Zinc Plating.

Stainless Steel Studs are available on minimum order of 100 nos.

## Handles

## Thumb Knob

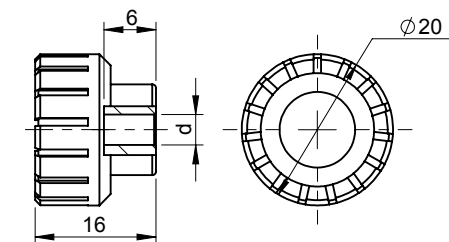


Product Code	Material	Stud Material	Stud Size (d)	Stud Length (h)	p
DKSC-20-05-20	Polyamide	MS	M5	20	5
DKSC-20-05-25	Polyamide	MS	M5	25	10
DKSC-20-05-30	Polyamide	MS	M5	30	10
DKSC-20-06-25	Polyamide	MS	M6	25	10
DKSC-20-06-30	Polyamide	MS	M6	30	10
DKSC-20-06-35	Polyamide	MS	M6	35	10
DKSC-20-06-40	Polyamide	MS	M6	40	10

Stud With Circlip

Studs : M.S. Toughened Blue Zinc Plating.

Stainless Steel Studs are available on a minimum order of 100 nos.



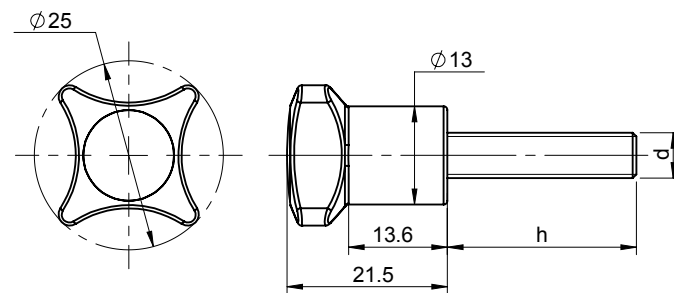
Product Code	Material	Colour	Insert Material	Insert Size (d)
DKI-20-03	Polyamide	Black	MS	M3
DKI-20-04	Polyamide	Black	MS	M4
DKI-20-05	Polyamide	Black	MS	M5
DKI-20-06	Polyamide	Black	MS	M6

Inserts : M.S. Toughened Blue Zinc Plating.

Stainless Steel Inserts are available on a minimum order of 100 nos.

## Handles

## Lobed Knob



Product Code	Material	Colour	Stud Material	Stud Size (d)	Stud Length (h)
DKCSQS-25-04-16	Polyamide	Black	MS	M4	16
DKCSQS-25-04-20	Polyamide	Black	MS	M4	20
DKCSQS-25-04-26	Polyamide	Black	MS	M4	26
DKCSQS-25-05-10	Polyamide	Black	MS	M5	10
DKCSQS-25-05-16	Polyamide	Black	MS	M5	16
DKCSQS-25-05-20	Polyamide	Black	MS	M5	20
DKCSQS-25-05-25	Polyamide	Black	MS	M5	25
DKCSQS-25-05-30	Polyamide	Black	MS	M5	30
DKCSQS-25-05-40	Polyamide	Black	MS	M5	40
DKCSQS-25-06-10	Polyamide	Black	MS	M6	10
DKCSQS-25-06-16	Polyamide	Black	MS	M6	16
DKCSQS-25-06-20	Polyamide	Black	MS	M6	20
DKCSQS-25-06-25	Polyamide	Black	MS	M6	25
DKCSQS-25-06-27	Polyamide	Black	MS	M6	27
DKCSQS-25-06-30	Polyamide	Black	MS	M6	30
DKCSQS-25-06-35	Polyamide	Black	MS	M6	35
DKCSQS-25-06-40	Polyamide	Black	MS	M6	40
DKCSQS-25-06-70	Polyamide	Black	MS	M6	70

Standard Knob Colour is Black.

Standard Cap Colour is Black.

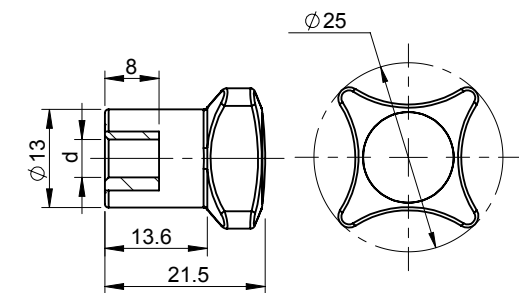
Blue, Red, Yellow, White Caps are available on minimum order of 100 nos each.

Studs : M.S. Toughened Blue Zinc Plating.

Stainless Steel Studs are available on minimum order of 100 nos.

## Handles

## Lobed Knob



Product Code	Material	Colour	Insert Material	Insert Size (d)
DKCSQI-25-04	Polyamide	Black	MS	M6
DKCSQI-25-05	Polyamide	Black	MS	M5
DKCSQI-25-06	Polyamide	Black	MS	M6

Standard Knob Colour is Black.

Standard Cap Colour is Black.

Blue, Red, Yellow, White Caps are available on minimum order of 100 nos each.

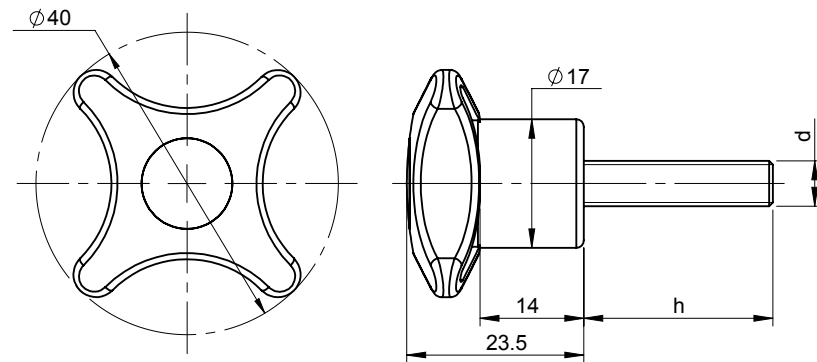
Inserts : M.S. Toughened Blue Zinc Plating.

Stainless Steel Inserts are available on minimum order of 100 nos.



## Handles

## Lobed Knob



Product Code	Material	Colour	Stud Material	Stud Size (d)	Stud Length (h)
DKCSQS-40-05-10	Polyamide	Black	MS	M5	10
DKCSQS-40-05-16	Polyamide	Black	MS	M5	16
DKCSQS-40-05-20	Polyamide	Black	MS	M5	20
DKCSQS-40-05-25	Polyamide	Black	MS	M5	25
DKCSQS-40-05-30	Polyamide	Black	MS	M5	30
DKCSQS-40-05-35	Polyamide	Black	MS	M5	35
DKCSQS-40-05-40	Polyamide	Black	MS	M5	40
DKCSQS-40-06-16	Polyamide	Black	MS	M6	16
DKCSQS-40-06-20	Polyamide	Black	MS	M6	20
DKCSQS-40-06-25	Polyamide	Black	MS	M6	25
DKCSQS-40-06-30	Polyamide	Black	MS	M6	30
DKCSQS-40-06-40	Polyamide	Black	MS	M6	40
DKCSQS-40-06-50	Polyamide	Black	MS	M6	50
DKCSQS-40-06-70	Polyamide	Black	MS	M6	70
DKCSQS-40-08-16	Polyamide	Black	MS	M8	16
DKCSQS-40-08-20	Polyamide	Black	MS	M8	20
DKCSQS-40-08-35	Polyamide	Black	MS	M8	35

Standard Knob Colour is Black.

Standard Cap Colour is Black.

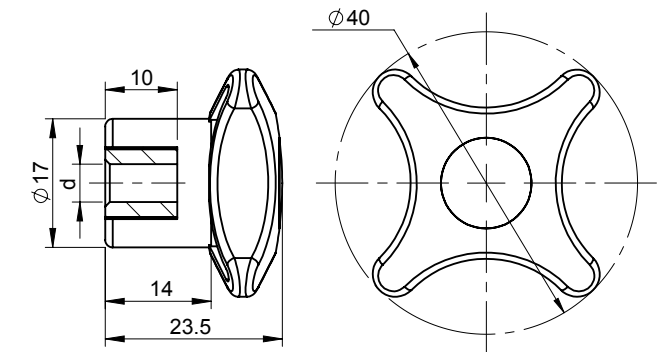
Blue, Red, Yellow, White Caps are available on minimum order of 100 nos each.

Studs : M.S. Toughened Blue Zinc Plating.

Stainless Steel Studs are available on minimum order of 100 nos.

## Handles

## Lobed Knob



Product Code	Material	Colour	Insert Material	Insert Size (d)
DKCSQI-40-06	Polyamide	Black	MS	M6
DKCSQI-40-08	Polyamide	Black	MS	M8

Standard Knob Colour is Black.

Standard Cap Colour is Black.

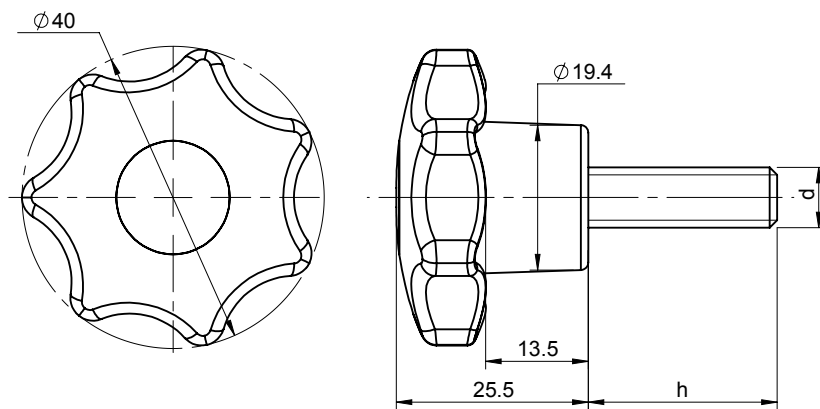
Blue, Red, Yellow, White Caps are available on minimum order of 100 nos each.

Inserts : M.S. Toughened Blue Zinc Plating.

Stainless Steel Inserts are available on minimum order of 100 nos.

## Handles

## Lobed Knob



Product Code	Material	Colour	Stud Material	Stud Size (d)	Stud Length (h)
DKCS-40-06-10	Polyamide	Black	MS	M6	10
DKCS-40-06-16	Polyamide	Black	MS	M6	16
DKCS-40-06-20	Polyamide	Black	MS	M6	20
DKCS-40-06-25	Polyamide	Black	MS	M6	25
DKCS-40-06-30	Polyamide	Black	MS	M6	30
DKCS-40-06-35	Polyamide	Black	MS	M6	35
DKCS-40-06-40	Polyamide	Black	MS	M6	40
DKCS-40-06-70	Polyamide	Black	MS	M6	70
DKCS-40-08-16	Polyamide	Black	MS	M8	16
DKCS-40-08-20	Polyamide	Black	MS	M8	20
DKCS-40-08-25	Polyamide	Black	MS	M8	25
DKCS-40-08-30	Polyamide	Black	MS	M8	30
DKCS-40-08-35	Polyamide	Black	MS	M8	35
DKCS-40-08-40	Polyamide	Black	MS	M8	40
DKCS-40-08-50	Polyamide	Black	MS	M8	50
DKCS-40-08-60	Polyamide	Black	MS	M8	60
DKCS-40-08-70	Polyamide	Black	MS	M8	70

Standard Knob Colour is Black.

Standard Cap Colour is Black.

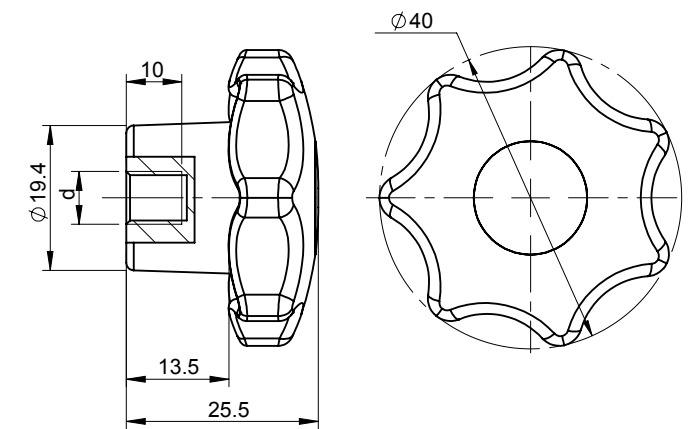
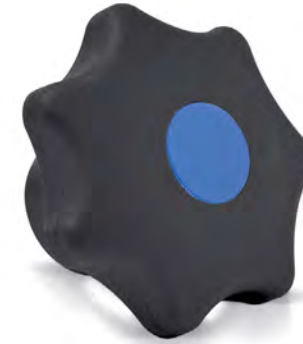
Blue, Red, Yellow, White Caps are available on minimum order of 100 nos each.

Studs : M.S. Toughened Blue Zinc Plating.

Stainless Steel Studs are available on minimum order of 100 nos.

## Handles

## Lobed Knob



Product Code	Material	Colour	Insert Material	Insert Size (d)
DKCI-40-06	Polyamide	Black	MS	M6
DKCI-40-08	Polyamide	Black	MS	M8

Standard Knob Colour is Black.

Standard Cap Colour is Black.

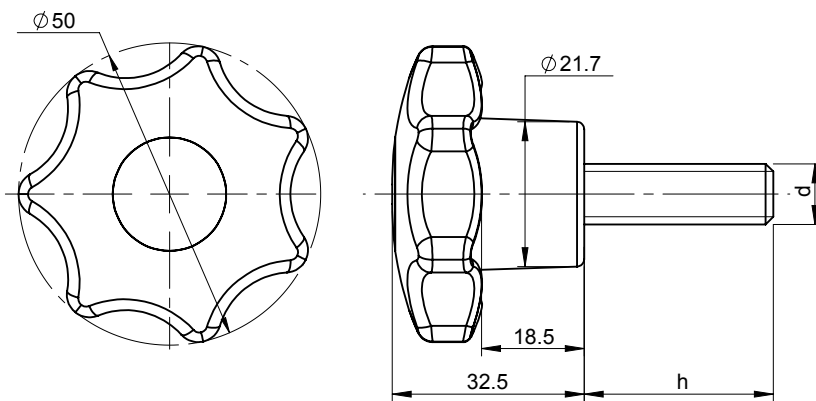
Blue, Red, Yellow, White Caps are available on minimum order of 100 nos each.

Inserts : M.S. Toughened Blue Zinc Plating.

Stainless Steel Inserts are available on minimum order of 100 nos.

## Handles

## Lobed Knob



Product Code	Material	Colour	Stud Material	Stud Size (d)	Stud Length (h)
DKCS-50-08-16	Polyamide	Black	MS	M8	16
DKCS-50-08-20	Polyamide	Black	MS	M8	20
DKCS-50-08-25	Polyamide	Black	MS	M8	25
DKCS-50-08-30	Polyamide	Black	MS	M8	30
DKCS-50-08-40	Polyamide	Black	MS	M8	40
DKCS-50-08-50	Polyamide	Black	MS	M6	50
DKCS-50-08-60	Polyamide	Black	MS	M8	60
DKCS-50-10-20	Polyamide	Black	MS	M10	20
DKCS-50-10-30	Polyamide	Black	MS	M10	30
DKCS-50-10-35	Polyamide	Black	MS	M10	35
DKCS-50-10-40	Polyamide	Black	MS	M10	40
DKCS-50-10-50	Polyamide	Black	MS	M10	50
DKCS-50-10-60	Polyamide	Black	MS	M10	60
DKCS-50-10-65	Polyamide	Black	MS	M10	65
DKCS-50-10-70	Polyamide	Black	MS	M10	70
DKCS-50-10-100	Polyamide	Black	MS	M10	100

Standard Knob Colour is Black.

Standard Cap Colour is Black.

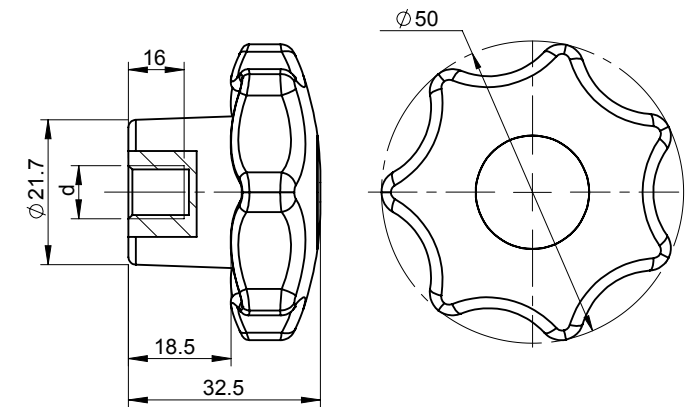
Blue, Red, Yellow, White Caps are available on minimum order of 100 nos each.

Studs : M.S. Toughened Blue Zinc Plating.

Stainless Steel Studs are available on minimum order of 100 nos.

## Handles

## Lobed Knob



Product Code	Material	Colour	Insert Material	Insert Size (d)
DKCI-50-08	Polyamide	Black	MS	M8
DKCI-50-10	Polyamide	Black	MS	M10

Standard Knob Colour is Black.

Standard Cap Colour is Black.

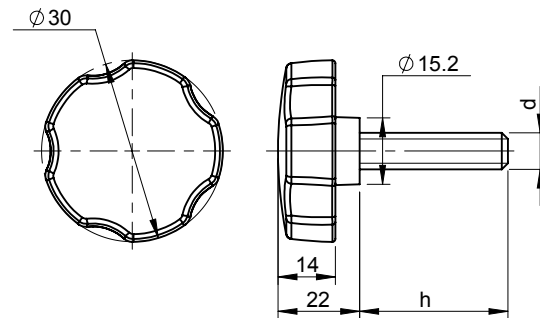
Blue, Red, Yellow, White Caps are available on minimum order of 100 nos each.

Inserts : M.S. Toughened Blue Zinc Plating.

Stainless Steel Inserts are available on minimum order of 100 nos.

## Handles

## Lobed Knob



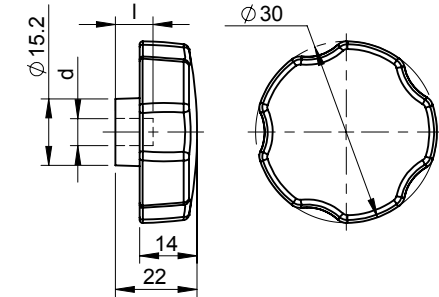
Product Code	Material	Colour	Stud Material	Stud Size (d)	Stud Length (h)
DKS-30-05-10	Polyamide	Black	MS	M5	10
DKS-30-05-16	Polyamide	Black	MS	M5	16
DKS-30-05-20	Polyamide	Black	MS	M5	20
DKS-30-05-25	Polyamide	Black	MS	M5	25
DKS-30-05-30	Polyamide	Black	MS	M5	30
DKS-30-05-40	Polyamide	Black	MS	M5	40
DKS-30-06-10	Polyamide	Black	MS	M6	10
DKS-30-06-16	Polyamide	Black	MS	M6	16
DKS-30-06-20	Polyamide	Black	MS	M6	20
DKS-30-06-25	Polyamide	Black	MS	M6	25
DKS-30-06-27	Polyamide	Black	MS	M6	27
DKS-30-06-30	Polyamide	Black	MS	M6	30
DKS-30-06-35	Polyamide	Black	MS	M6	35
DKS-30-06-40	Polyamide	Black	MS	M6	40
DKS-30-06-50	Polyamide	Black	MS	M6	50
DKS-30-06-70	Polyamide	Black	MS	M6	70
DKS-30-08-16	Polyamide	Black	MS	M8	16
DKS-30-08-20	Polyamide	Black	MS	M8	20
DKS-30-08-25	Polyamide	Black	MS	M8	25
DKS-30-08-30	Polyamide	Black	MS	M8	30
DKS-30-08-40	Polyamide	Black	MS	M8	40
DKS-30-08-50	Polyamide	Black	MS	M8	50
DKS-30-08-60	Polyamide	Black	MS	M8	60
DKS-30-08-70	Polyamide	Black	MS	M8	70

Studs : M.S. Toughened Blue Zinc Plating.

Stainless Steel Studs are available on minimum order of 100 nos.

## Handles

## Lobed Knob



Product Code	Material	Colour	Insert Material	Insert Size (d)	Insert Depth (l)
DKI-30-05	Polyamide	Black	MS	M5	8
DKI-30-06	Polyamide	Black	MS	M6	10
DKI-30-08	Polyamide	Black	MS	M8	10

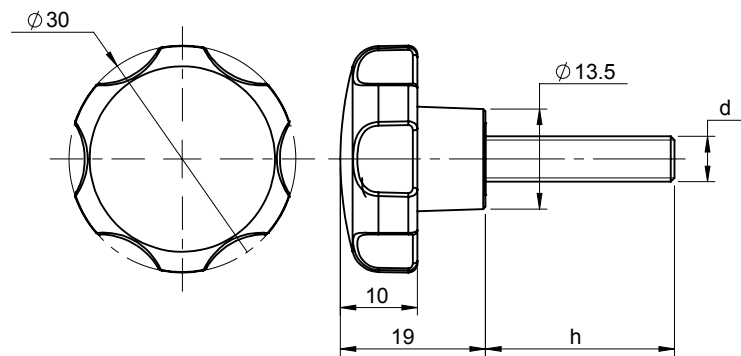
Inserts : M.S. Toughened Blue Zinc Plating.

Stainless Steel Inserts are available on minimum order of 100 nos.



## Handles

## Lobed Knob



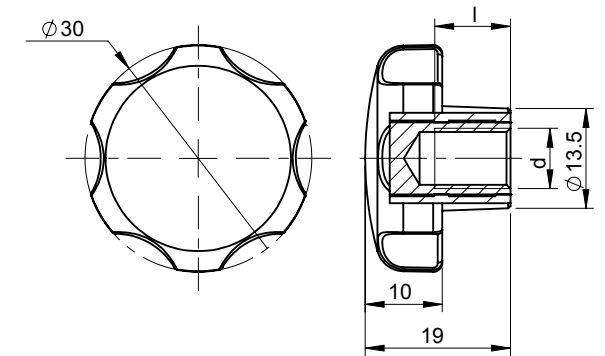
Product Code	Material	Colour	Stud Material	Stud Size (d)	Stud Length (h)
DKS6-30-05-10	Polyamide	Black	MS	M5	10
DKS6-30-05-16	Polyamide	Black	MS	M5	16
DKS6-30-05-20	Polyamide	Black	MS	M5	20
DKS6-30-05-25	Polyamide	Black	MS	M5	25
DKS6-30-05-30	Polyamide	Black	MS	M5	30
DKS6-30-05-40	Polyamide	Black	MS	M5	40
DKS6-30-06-10	Polyamide	Black	MS	M6	10
DKS6-30-06-16	Polyamide	Black	MS	M6	16
DKS6-30-06-20	Polyamide	Black	MS	M6	20
DKS6-30-06-25	Polyamide	Black	MS	M6	25
DKS6-30-06-27	Polyamide	Black	MS	M6	27
DKS6-30-06-30	Polyamide	Black	MS	M6	30
DKS6-30-06-35	Polyamide	Black	MS	M6	35
DKS6-30-06-40	Polyamide	Black	MS	M6	40
DKS6-30-06-50	Polyamide	Black	MS	M6	50
DKS6-30-06-70	Polyamide	Black	MS	M6	70

Studs : M.S. Toughened Blue Zinc Plating.

Stainless Steel Studs are available on minimum order of 100 nos.

## Handles

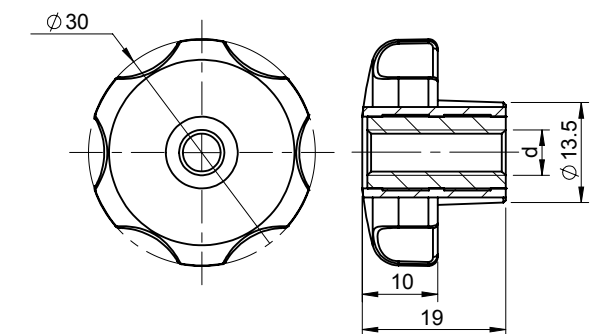
## Lobed Knob



Product Code	Material	Colour	Insert Material	Insert Size (d)	Insert Depth (l)
DKI6-30-05	Polyamide	Black	MS	M5	8
DKI6-30-06	Polyamide	Black	MS	M6	10

Inserts : M.S. Toughened Blue Zinc Plating.

Stainless Steel Inserts are available on minimum order of 100 nos.



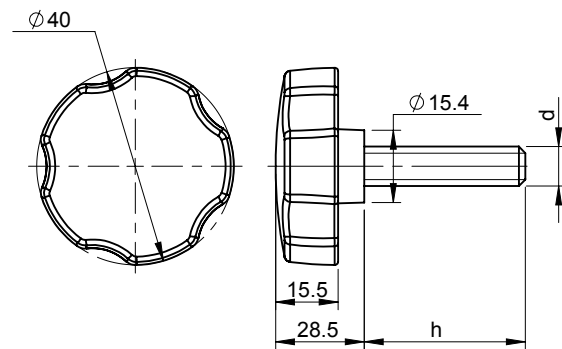
Product Code	Material	Colour	Insert Material	Insert Size (d)
DKI6-TH-30-05	Polyamide	Black	MS	M5
DKI6-TH-30-06	Polyamide	Black	MS	M6

Inserts : M.S. Toughened Blue Zinc Plating.

Stainless Steel Inserts are available on minimum order of 100 nos.

## Handles

## Lobed Knob



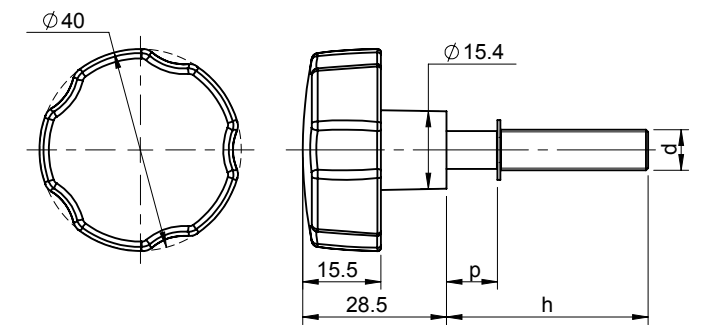
Product Code	Material	Colour	Stud Material	Stud Size (d)	Stud Length (h)
<b>DKS-40-06-10</b>	Polyamide	Black	MS	M6	10
<b>DKS-40-06-16</b>	Polyamide	Black	MS	M6	16
<b>DKS-40-06-20</b>	Polyamide	Black	MS	M6	20
<b>DKS-40-06-25</b>	Polyamide	Black	MS	M6	25
<b>DKS-40-06-30</b>	Polyamide	Black	MS	M6	30
<b>DKS-40-06-35</b>	Polyamide	Black	MS	M6	35
<b>DKS-40-06-40</b>	Polyamide	Black	MS	M6	40
<b>DKS-40-06-70</b>	Polyamide	Black	MS	M6	70
<b>DKS-40-08-16</b>	Polyamide	Black	MS	M8	16
<b>DKS-40-08-20</b>	Polyamide	Black	MS	M8	20
<b>DKS-40-08-25</b>	Polyamide	Black	MS	M8	25
<b>DKS-40-08-30</b>	Polyamide	Black	MS	M8	30
<b>DKS-40-08-40</b>	Polyamide	Black	MS	M8	40
<b>DKS-40-08-50</b>	Polyamide	Black	MS	M8	50
<b>DKS-40-08-60</b>	Polyamide	Black	MS	M8	60
<b>DKS-40-08-70</b>	Polyamide	Black	MS	M8	70

Studs : M.S. Toughened Blue Zinc Plating.

Stainless Steel Studs are available on minimum order of 100 nos.

## Handles

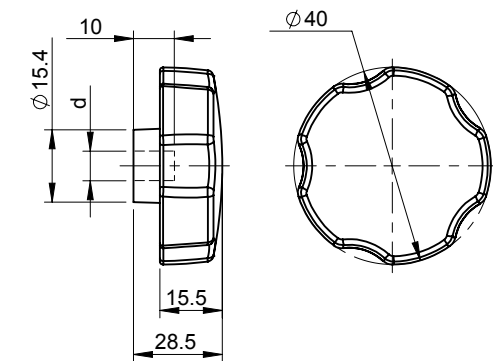
## Lobed Knob



Product Code	Material	Colour	Stud Material	Stud Size (d)	Stud Length (h)	p
<b>DKSC-40-06-16</b>	Polyamide	Black	MS	M6	16	5
<b>DKSC-40-08-16</b>	Polyamide	Black	MS	M8	16	5

Studs : M.S. Toughened Blue Zinc Plating.

Stainless Steel Studs are available on minimum order of 100 nos.



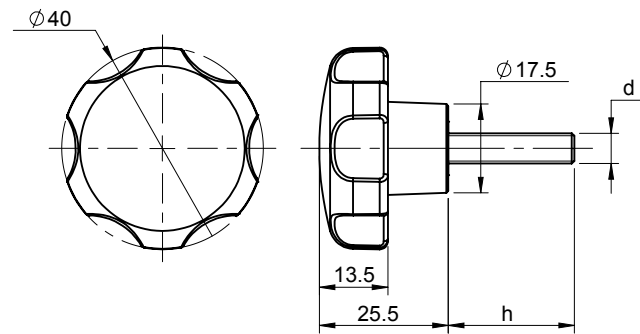
Product Code	Material	Colour	Insert Material	Insert Size (d)
<b>DKI-40-04</b>	Polyamide	Black	MS	M4
<b>DKI-40-06</b>	Polyamide	Black	MS	M6
<b>DKI-40-08</b>	Polyamide	Black	MS	M8

Inserts : M.S. Toughened Blue Zinc Plating.

Stainless Steel Inserts are available on minimum order of 100 nos.

## Handles

## Lobed Knob



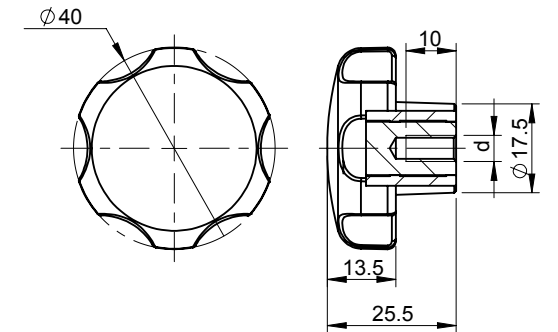
Product Code	Material	Colour	Stud Material	Stud Size (d)	Stud Length (h)
DKS6-40-06-10	Polyamide	Black	MS	M6	10
DKS6-40-06-16	Polyamide	Black	MS	M6	16
DKS6-40-06-20	Polyamide	Black	MS	M6	20
DKS6-40-06-25	Polyamide	Black	MS	M6	25
DKS6-40-06-30	Polyamide	Black	MS	M6	30
DKS6-40-06-35	Polyamide	Black	MS	M6	35
DKS6-40-06-40	Polyamide	Black	MS	M6	40
DKS6-40-06-70	Polyamide	Black	MS	M6	70
DKS6-40-08-16	Polyamide	Black	MS	M8	16
DKS6-40-08-20	Polyamide	Black	MS	M8	20
DKS6-40-08-25	Polyamide	Black	MS	M8	25
DKS6-40-08-30	Polyamide	Black	MS	M8	30
DKS6-40-08-40	Polyamide	Black	MS	M8	40
DKS6-40-08-50	Polyamide	Black	MS	M8	50
DKS6-40-08-60	Polyamide	Black	MS	M8	60
DKS6-40-08-70	Polyamide	Black	MS	M8	70

Studs : M.S. Toughened Blue Zinc Plating.

Stainless Steel Studs are available on minimum order of 100 nos.

## Handles

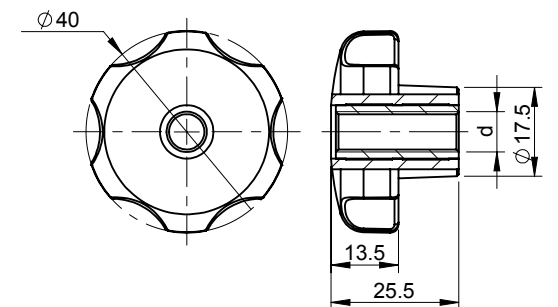
## Lobed Knob



Product Code	Material	Colour	Insert Material	Insert Size (d)
DKI6-40-06	Polyamide	Black	MS	M6
DKI6-40-08	Polyamide	Black	MS	M8

Inserts : M.S. Toughened Blue Zinc Plating.

Stainless Steel Inserts are available on minimum order of 100 nos.



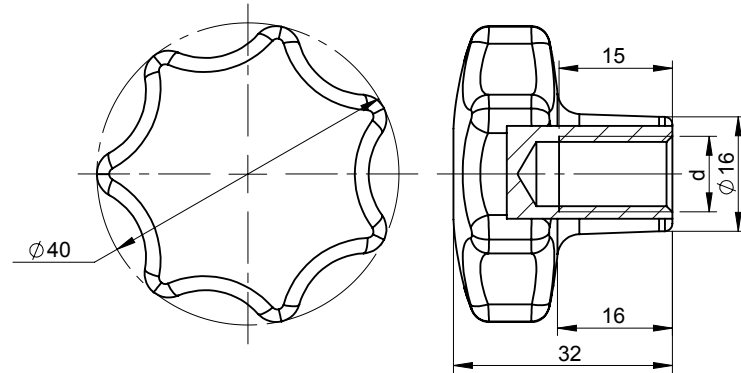
Product Code	Material	Colour	Insert Material	Insert Size (d)
DKI6-TH-40-06	Polyamide	Black	MS	M6
DKI6-TH-40-08	Polyamide	Black	MS	M8

Inserts : M.S. Toughened Blue Zinc Plating.

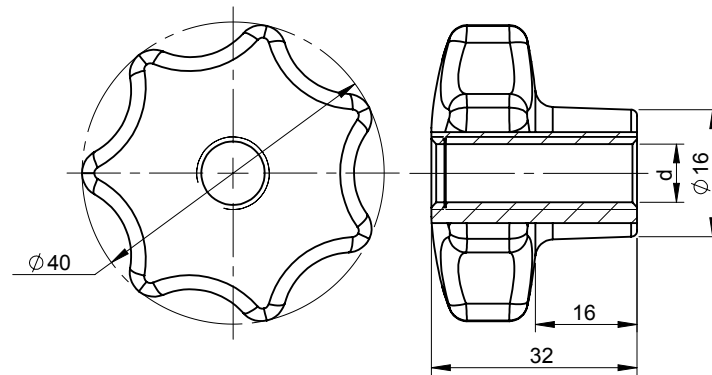
Stainless Steel Inserts are available on minimum order of 100 nos.

## Handles

## Lobed Knob



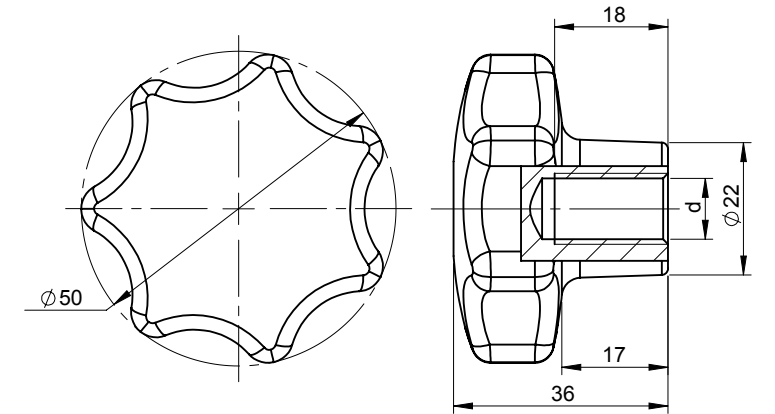
Product Code	Material	Finish	Threading (d)
<b>DSKI-40-SS-06</b>	SS-304	Electro Polishing	M6
<b>DSKI-40-SS-08</b>	SS-304	Electro Polishing	M8



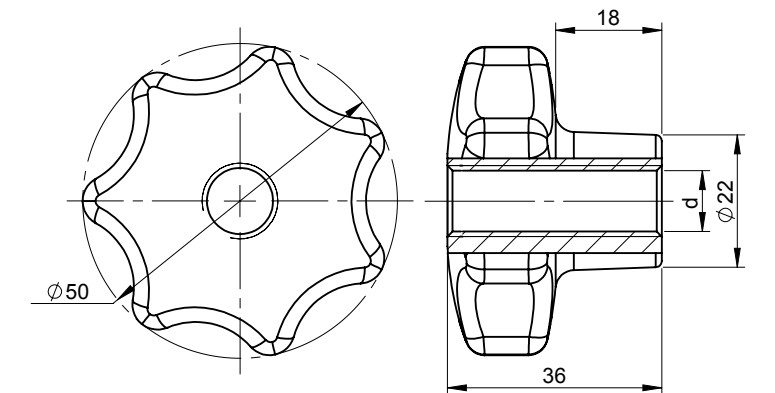
Product Code	Material	Finish	Threading (d)
<b>DSKI-40-SS-TH-06</b>	SS-304	Electro Polishing	M6
<b>DSKI-40-SS-TH-08</b>	SS-304	Electro Polishing	M8

## Handles

## Lobed Knob



Product Code	Material	Finish	Threading (d)
<b>DSKI-50-SS-08</b>	SS-304	Electro Polishing	M8
<b>DSKI-50-SS-10</b>	SS-304	Electro Polishing	M10
<b>DSKI-50-SS-12</b>	SS-304	Electro Polishing	M12

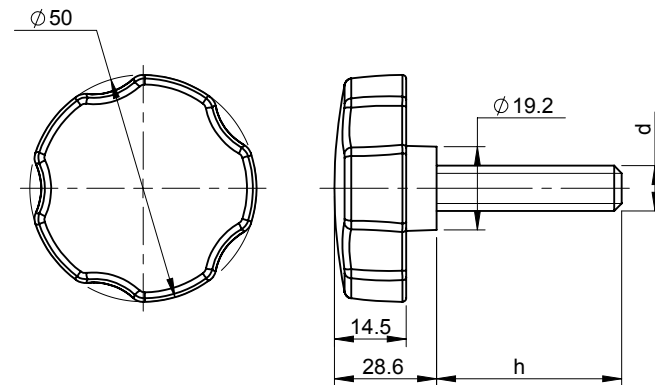


Product Code	Material	Finish	Threading (d)
<b>DSKI-50-SS-TH-08</b>	SS-304	Electro Polishing	M8
<b>DSKI-50-SS-TH-10</b>	SS-304	Electro Polishing	M10
<b>DSKI-50-SS-TH-12</b>	SS-304	Electro Polishing	M12



## Handles

## Lobed Knob



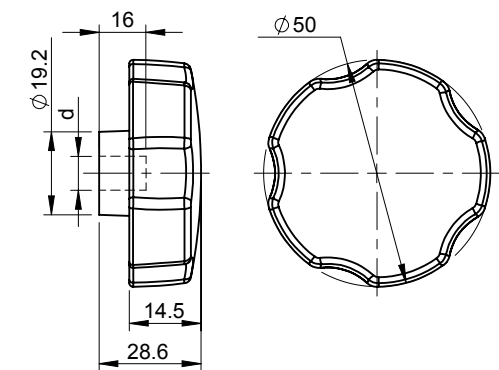
Product Code	Material	Colour	Stud Material	Stud Size (d)	Stud Length (h)
<b>DKS-50-08-16</b>	Polyamide	Black	MS	M8	16
<b>DKS-50-08-20</b>	Polyamide	Black	MS	M8	20
<b>DKS-50-08-25</b>	Polyamide	Black	MS	M8	25
<b>DKS-50-08-30</b>	Polyamide	Black	MS	M8	30
<b>DKS-50-08-40</b>	Polyamide	Black	MS	M8	40
<b>DKS-50-08-50</b>	Polyamide	Black	MS	M8	50
<b>DKS-50-08-60</b>	Polyamide	Black	MS	M8	60
<b>DKS-50-10-20</b>	Polyamide	Black	MS	M10	20
<b>DKS-50-10-30</b>	Polyamide	Black	MS	M10	30
<b>DKS-50-10-40</b>	Polyamide	Black	MS	M10	40
<b>DKS-50-10-50</b>	Polyamide	Black	MS	M10	50
<b>DKS-50-10-60</b>	Polyamide	Black	MS	M10	60
<b>DKS-50-10-65</b>	Polyamide	Black	MS	M6	65
<b>DKS-50-10-70</b>	Polyamide	Black	MS	M10	70
<b>DKS-50-10-100</b>	Polyamide	Black	MS	M10	100
<b>DKS-50-10-125</b>	Polyamide	Black	MS	M10	125

Studs : M.S. Toughened Blue Zinc Plating.

Stainless Steel Studs are available on minimum order of 100 nos.

## Handles

## Lobed Knob



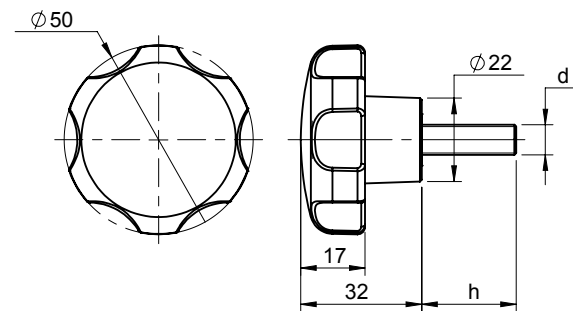
Product Code	Material	Colour	Insert Material	Insert Size (d)
<b>DKI-50-08</b>	Polyamide	Black	MS	M8
<b>DKI-50-10</b>	Polyamide	Black	MS	M10

Inserts : M.S. Toughened Blue Zinc Plating.

Stainless Steel Inserts are available on minimum order of 100 nos.

## Handles

## Lobed Knob



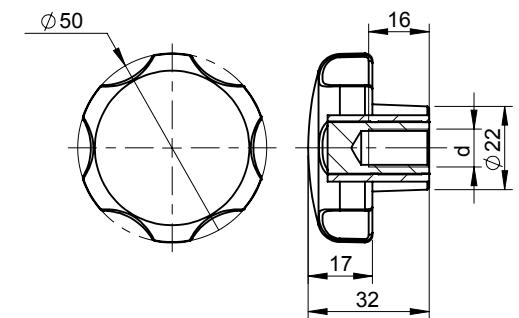
Product Code	Material	Colour	Stud Material	Stud Size (d)	Stud Length (h)
<b>DKS6-50-10-20</b>	Polyamide	Black	MS	M10	20
<b>DKS6-50-10-25</b>	Polyamide	Black	MS	M10	25
<b>DKS6-50-10-30</b>	Polyamide	Black	MS	M10	30
<b>DKS6-50-10-40</b>	Polyamide	Black	MS	M10	40
<b>DKS6-50-10-50</b>	Polyamide	Black	MS	M10	50
<b>DKS6-50-10-60</b>	Polyamide	Black	MS	M10	60
<b>DKS6-50-10-65</b>	Polyamide	Black	MS	M10	65
<b>DKS6-50-10-70</b>	Polyamide	Black	MS	M10	70
<b>DKS6-50-10-100</b>	Polyamide	Black	MS	M10	100
<b>DKS6-50-10-125</b>	Polyamide	Black	MS	M10	125

Studs : M.S. Toughened Blue Zinc Plating.

Stainless Steel Studs are available on minimum order of 100 nos.

## Handles

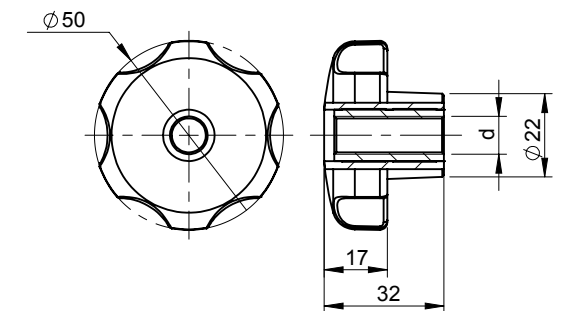
## Lobed Knob



Product Code	Material	Colour	Insert Material	Insert Size (d)
<b>DKI6-50-08</b>	Polyamide	Black	MS	M8
<b>DKI6-50-10</b>	Polyamide	Black	MS	M10

Inserts : M.S. Toughened Blue Zinc Plating.

Stainless Steel Inserts are available on minimum order of 100 nos.



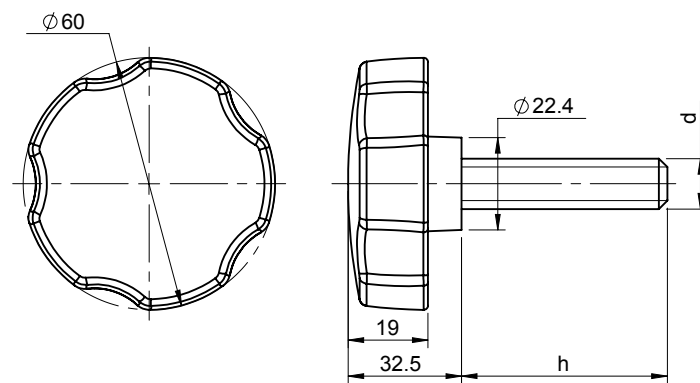
Product Code	Material	Colour	Insert Material	Insert Size (d)
<b>DKI6-TH-50-08</b>	Polyamide	Black	MS	M8
<b>DKI6-TH-50-10</b>	Polyamide	Black	MS	M10

Inserts : M.S. Toughened Blue Zinc Plating.

Stainless Steel Inserts are available on minimum order of 100 nos.

## Handles

## Lobed Knob



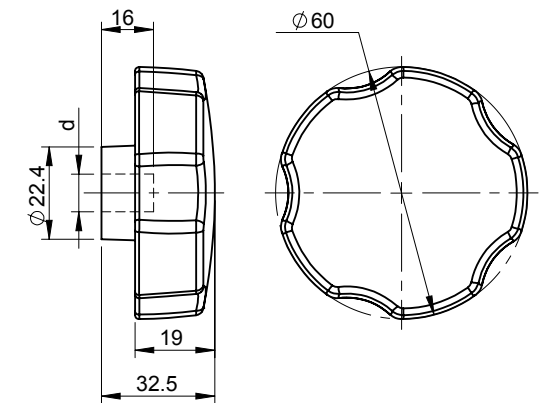
Product Code	Material	Colour	Stud Material	Stud Size (d)	Stud Length (h)
<b>DKS-60-10-20</b>	Polyamide	Black	MS	M10	20
<b>DKS-60-10-30</b>	Polyamide	Black	MS	M10	30
<b>DKS-60-10-40</b>	Polyamide	Black	MS	M10	40
<b>DKS-60-10-50</b>	Polyamide	Black	MS	M10	50
<b>DKS-60-10-60</b>	Polyamide	Black	MS	M10	60
<b>DKS-60-10-70</b>	Polyamide	Black	MS	M10	70
<b>DKS-60-10-90</b>	Polyamide	Black	MS	M10	90
<b>DKS-60-10-100</b>	Polyamide	Black	MS	M10	100
<b>DKS-60-10-125</b>	Polyamide	Black	MS	M10	125
<b>DKS-60-12-30</b>	Polyamide	Black	MS	M12	30
<b>DKS-60-12-40</b>	Polyamide	Black	MS	M12	40
<b>DKS-60-12-50</b>	Polyamide	Black	MS	M12	50
<b>DKS-60-12-70</b>	Polyamide	Black	MS	M12	70
<b>DKS-60-12-100</b>	Polyamide	Black	MS	M12	100
<b>DKS-60-12-115</b>	Polyamide	Black	MS	M12	115

Studs : M.S. Toughened Blue Zinc Plating.

Stainless Steel Studs are available on minimum order of 100 nos.

## Handles

## Lobed Knob



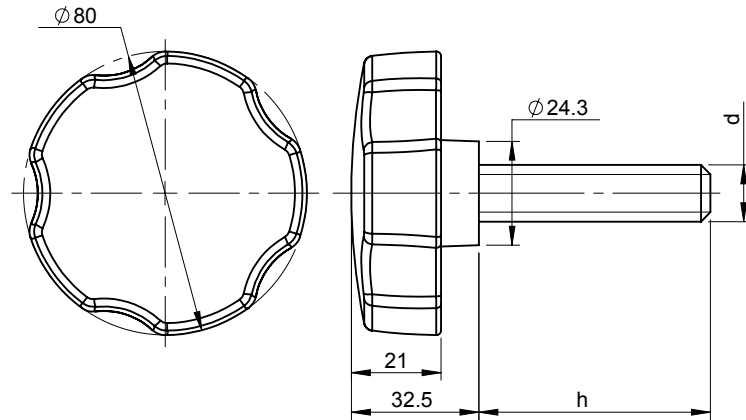
Product Code	Material	Colour	Insert Material	Insert Size (d)
<b>DKI-60-10</b>	Polyamide	Black	MS	M10
<b>DKI-60-12</b>	Polyamide	Black	MS	M12

Inserts : M.S. Toughened Blue Zinc Plating.

Stainless Steel Inserts are available on minimum order of 100 nos.

## Handles

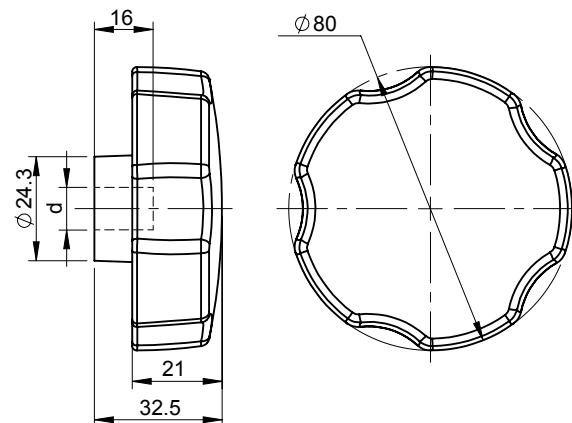
## Lobed Knob



Product Code	Material	Colour	Stud Material	Stud Size (d)	Stud Length (h)
DKS-80-10-30	Polyamide	Black	MS	M10	30
DKS-80-10-40	Polyamide	Black	MS	M10	40
DKS-80-10-50	Polyamide	Black	MS	M10	50
DKS-80-10-60	Polyamide	Black	MS	M10	60
DKS-80-12-30	Polyamide	Black	MS	M12	30
DKS-80-12-40	Polyamide	Black	MS	M12	40
DKS-80-12-50	Polyamide	Black	MS	M12	50
DKS-80-12-70	Polyamide	Black	MS	M12	70
DKS-80-12-80	Polyamide	Black	MS	M12	80

Studs : M.S. Toughened Blue Zinc Plating.

Stainless Steel Studs are available on minimum order of 100 nos.



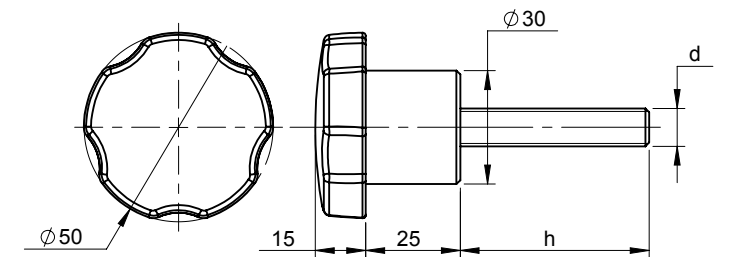
Product Code	Material	Colour	Insert Material	Insert Size (d)
DKI-80-10	Polyamide	Black	MS	M10
DKI-80-12	Polyamide	Black	MS	M12

Inserts : M.S. Toughened Blue Zinc Plating.

Stainless Steel Inserts are available on minimum order of 100 nos.

## Handles

## Lobed Knob



Product Code	Material	Colour	Stud Material	Stud Size (d)	Stud Length (h)
DKS-50-25-08-16	Polyamide	Black	MS	M8	16
DKS-50-25-08-20	Polyamide	Black	MS	M8	20
DKS-50-25-08-25	Polyamide	Black	MS	M8	25
DKS-50-25-08-30	Polyamide	Black	MS	M8	30
DKS-50-25-08-40	Polyamide	Black	MS	M8	40
DKS-50-25-08-50	Polyamide	Black	MS	M8	50
DKS-50-25-08-60	Polyamide	Black	MS	M8	60
DKS-50-25-10-20	Polyamide	Black	MS	M10	20
DKS-50-25-10-30	Polyamide	Black	MS	M10	30
DKS-50-25-10-40	Polyamide	Black	MS	M10	40
DKS-50-25-10-50	Polyamide	Black	MS	M10	50
DKS-50-25-10-60	Polyamide	Black	MS	M10	60
DKS-50-25-10-65	Polyamide	Black	MS	M10	65
DKS-50-25-10-70	Polyamide	Black	MS	M10	70
DKS-50-25-10-100	Polyamide	Black	MS	M10	100
DKS-50-25-10-125	Polyamide	Black	MS	M10	125

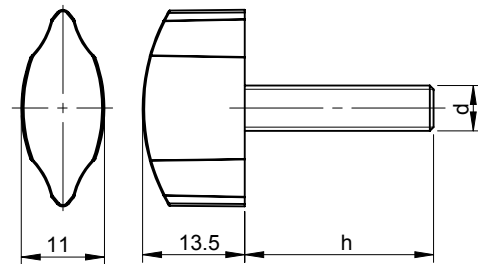
Studs : M.S. Toughened Blue Zinc Plating.

Stainless Steel Studs are available on minimum order of 100 nos.



## Handles

## Winged Knob



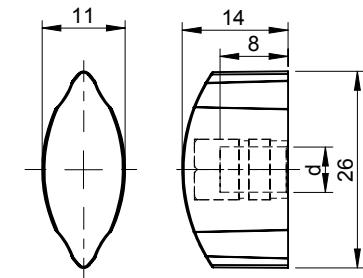
Product Code	Material	Colour	Stud Material	Stud Size (d)	Stud Length (h)
DKFS-26-03-16	Polyamide	Black	MS	M3	16
DKFS-26-04-16	Polyamide	Black	MS	M4	16
DKFS-26-04-20	Polyamide	Black	MS	M4	20
DKFS-26-04-26	Polyamide	Black	MS	M4	26
DKFS-26-05-10	Polyamide	Black	MS	M5	10
DKFS-26-05-16	Polyamide	Black	MS	M5	16
DKFS-26-05-20	Polyamide	Black	MS	M5	20
DKFS-26-05-25	Polyamide	Black	MS	M5	25
DKFS-26-05-30	Polyamide	Black	MS	M5	30
DKFS-26-05-40	Polyamide	Black	MS	M5	40
DKFS-26-06-10	Polyamide	Black	MS	M6	10
DKFS-26-06-16	Polyamide	Black	MS	M6	16
DKFS-26-06-20	Polyamide	Black	MS	M6	20
DKFS-26-06-25	Polyamide	Black	MS	M6	25
DKFS-26-06-27	Polyamide	Black	MS	M6	27
DKFS-26-06-30	Polyamide	Black	MS	M6	30
DKFS-26-06-35	Polyamide	Black	MS	M6	35
DKFS-26-06-40	Polyamide	Black	MS	M6	40
DKFS-26-06-70	Polyamide	Black	MS	M6	70

Studs : M.S. Toughened Blue Zinc Plating.

Stainless Steel Studs are available on minimum order of 100 nos.

## Handles

## Winged Knob



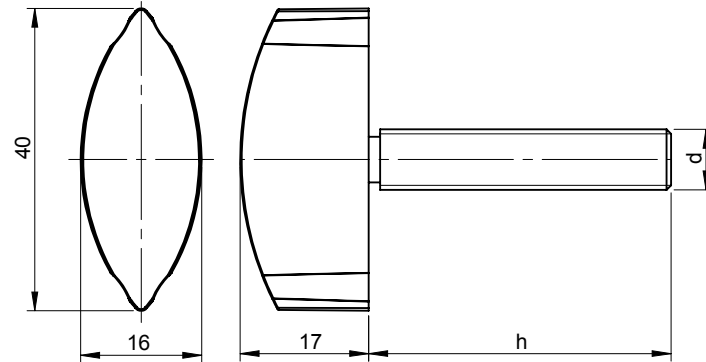
Product Code	Material	Colour	Insert Material	Insert Size (d)
DKFI-26-04	Polyamide	Black	MS	M4
DKFI-26-05	Polyamide	Black	MS	M5
DKFI-26-06	Polyamide	Black	MS	M6

Inserts : M.S. Toughened Blue Zinc Plating.

Stainless Steel Inserts are available on minimum order of 100 nos.

## Handles

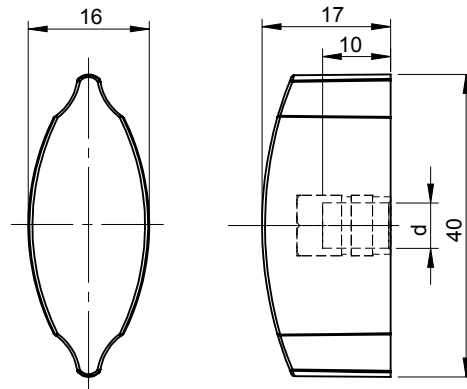
## Winged Knob



Product Code	Material	Colour	Stud Material	Stud Size (d)	Stud Length (h)
<b>DKFS-40-08-16</b>	Polyamide	Black	MS	M6	16
<b>DKFS-40-08-25</b>	Polyamide	Black	MS	M8	25
<b>DKFS-40-08-40</b>	Polyamide	Black	MS	M8	40

Studs : M.S. Toughened Blue Zinc Plating.

Stainless Steel Studs are available on minimum order of 100 nos.



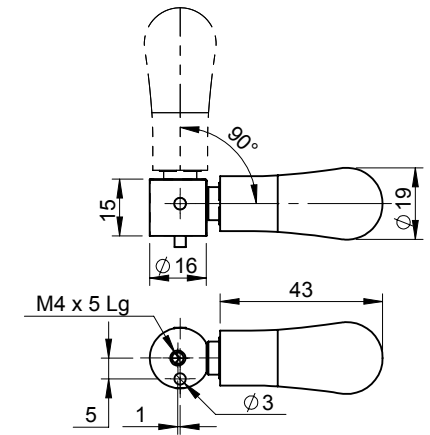
Product Code	Material	Colour	Insert Material	Insert Size (d)
<b>DKFI-40-06</b>	Polyamide	Black	MS	M6
<b>DKFI-40-08</b>	Polyamide	Black	MS	M8

Inserts : M.S. Toughened Blue Zinc Plating.

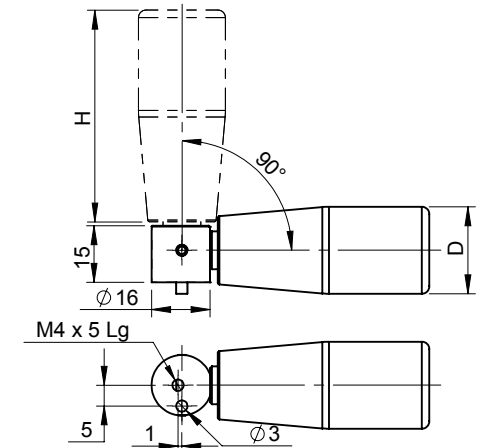
Stainless Steel Inserts are available on minimum order of 100 nos.

## Handles

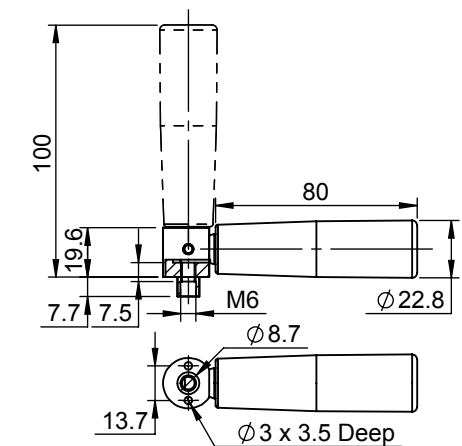
## Folding Revolving Handle



Product Code	Handle Material	Bush Material	Bush Finish	Handle Type
<b>DFRH-82</b>	Polyamide	Zinc	CH	Revolving & Folding



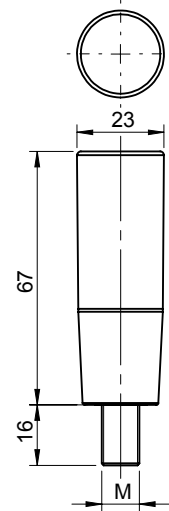
Product Code	Handle Material	Bush Material	Bush Finish	Handle Height (h)	Handle Diameter(d)	Handle Type
<b>DFRH-2272</b>	Polyamide	Zinc	CH	55	22	Revolving & Folding
<b>DFRH-2282</b>	Polyamide	Zinc	CH	67	23	Revolving & Folding
<b>DFRH-22105</b>	Polyamide	Zinc	CH	94	28.5	Revolving & Folding



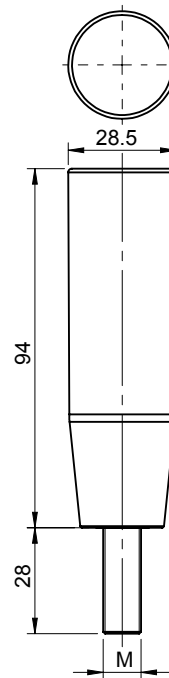
Product Code	Material	Bush Material	Bush Finish	Handle Type
<b>DFRH-23100</b>	Polyamide	MS	Green Plating	Revolving & Folding

## Handles

## Fixed Handle



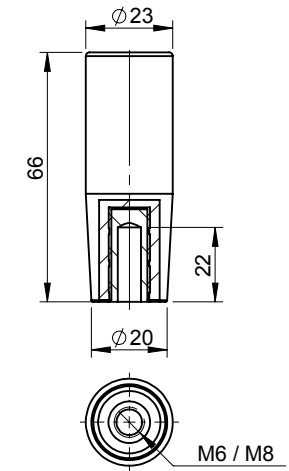
Product Code	Material	Stud Material	Stud Size (M)	Handle Type
DFHS-2366-06	Polyamide	MS	M6	Fixed
DFHS-2366-08	Polyamide	MS	M8	Fixed
DFHS-2366-10	Polyamide	MS	M10	Fixed



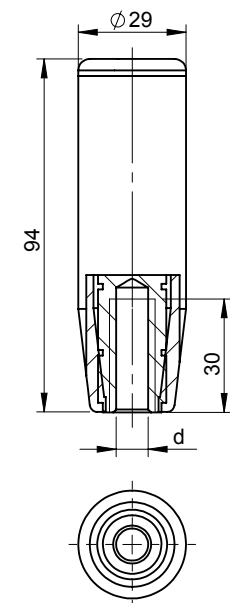
Product Code	Material	Stud Material	Stud Size (M)	Handle Type
DFHS-2390-06	Polyamide	MS	M6	Fixed
DFHS-2390-08	Polyamide	MS	M8	Fixed
DFHS-2390-10	Polyamide	MS	M10	Fixed

## Handles

## Fixed Handle



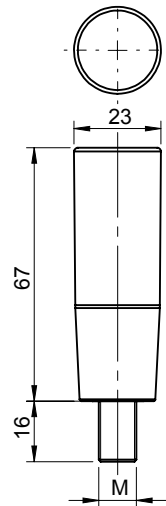
Product Code	Material	Insert Material	Insert Size	Handle Type
DFHI-2366-06	Polyamide	MS	M6	Fixed
DFHI-2366-08	Polyamide	MS	M8	Fixed



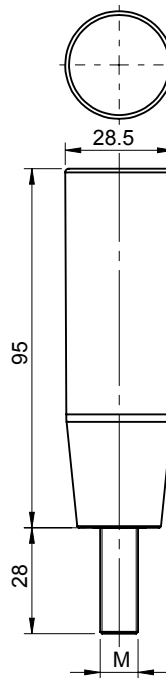
Product Code	Material	Insert Material	Insert Size (d)	Handle Type
DFHI-2390-10	Polyamide	MS	M10	Fixed
DFHI-2390-12	Polyamide	MS	M12	Fixed

## Handles

## Revolving Handle



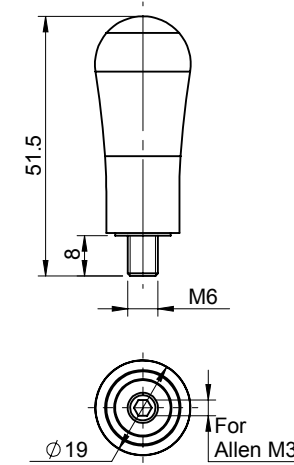
Product Code	Material	Stud Material	Stud Size (M)	Handle Type
DRH-2366-06	Polyamide	MS	M6	Revolving
DRH-2366-08	Polyamide	MS	M8	Revolving
DRH-2366-10	Polyamide	MS	M10	Revolving



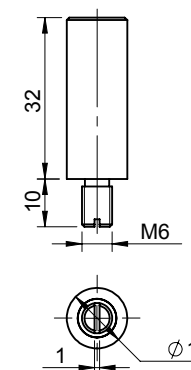
Product Code	Material	Stud Material	Stud Size (M)	Handle Type
DRH-2390-08	Polyamide	MS	M8	Revolving
DRH-2390-10	Polyamide	MS	M10	Revolving
DRH-2390-12	Polyamide	MS	M12	Revolving

## Handles

## Revolving Handle



Product Code	Material	Stud Material	Handle Type
DRH-82	Polyamide	MS	Revolving

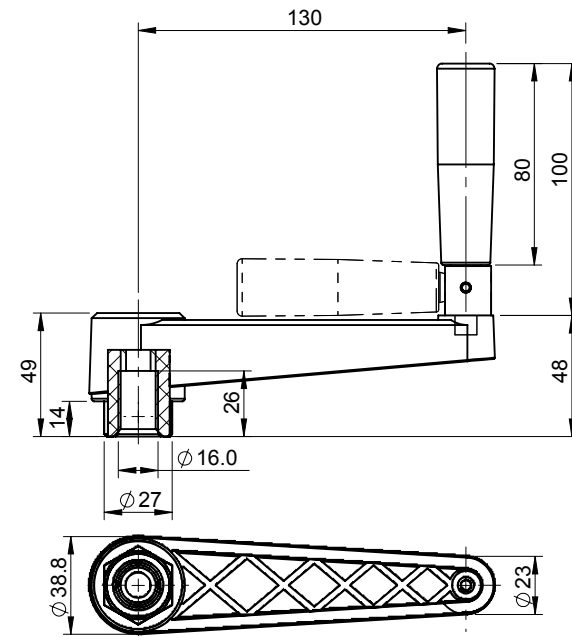


Product Code	Material	Stud Material	Handle Type
DRH-1232-06	Polyamide	MS	Revolving

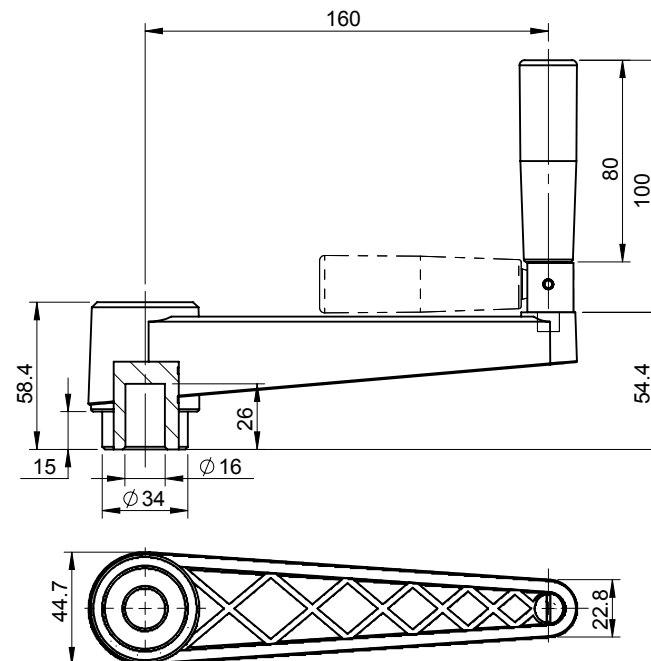


## Handles

## Crank Handle



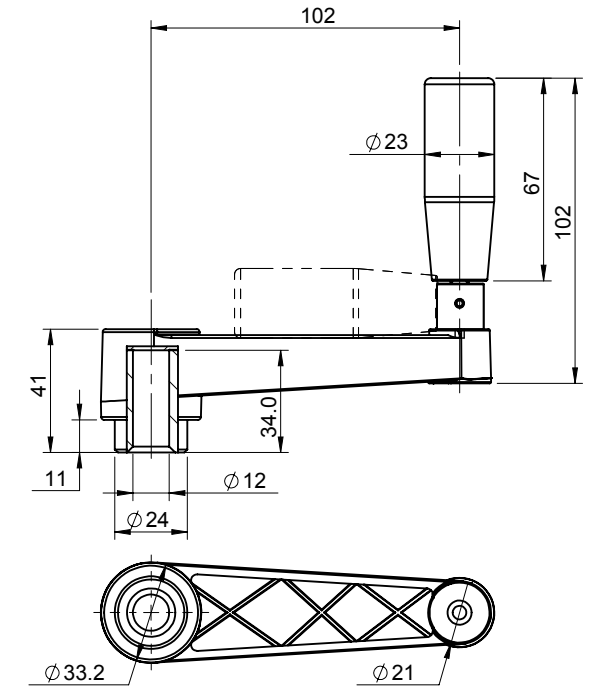
Product Code	Wheel Material	Handle Material	Insert Material	Handle Type
<b>DHC-130</b>	Polyamide	Polyamide	MS	Folding & Revolving



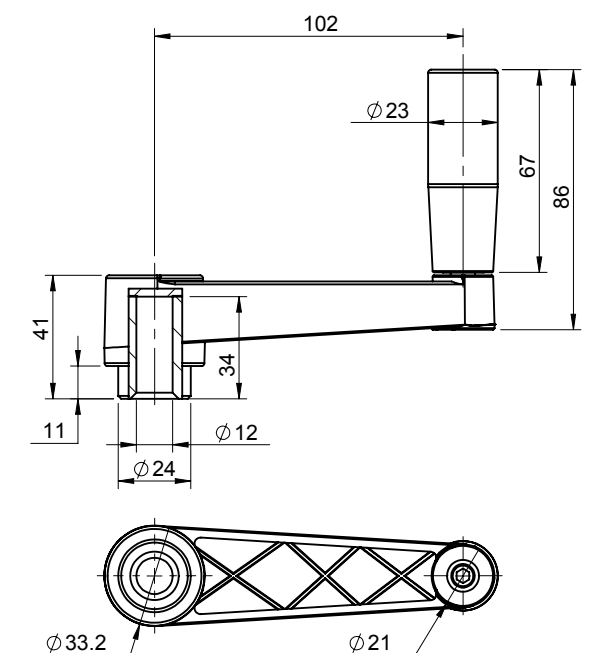
Product Code	Wheel Material	Handle Material	Insert Material	Handle Type
<b>DHC-160</b>	Polyamide	Polyamide	MS	Folding & Revolving

## Handles

## Crank Handle



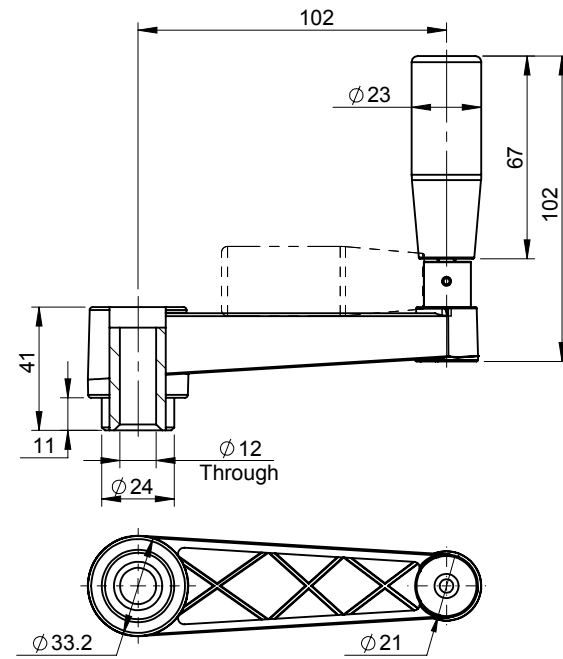
Product Code	Wheel Material	Handle Material	Insert Material	Handle Type
<b>DHC-102-HD</b>	Polyamide	Polyamide	MS	Folding & Revolving



Product Code	Wheel Material	Handle Material	Insert Material	Handle Type
<b>DHC-102-RH</b>	Polyamide	Polyamide	MS	Revolving

## Handles

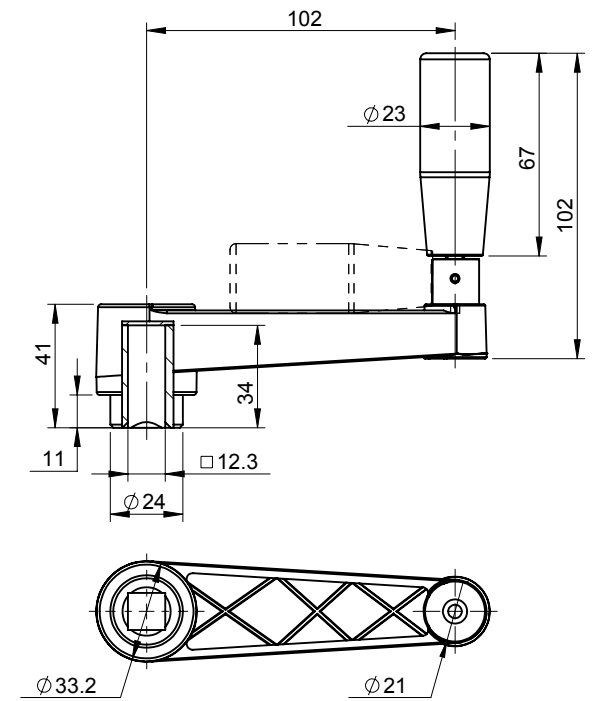
## Crank Handle



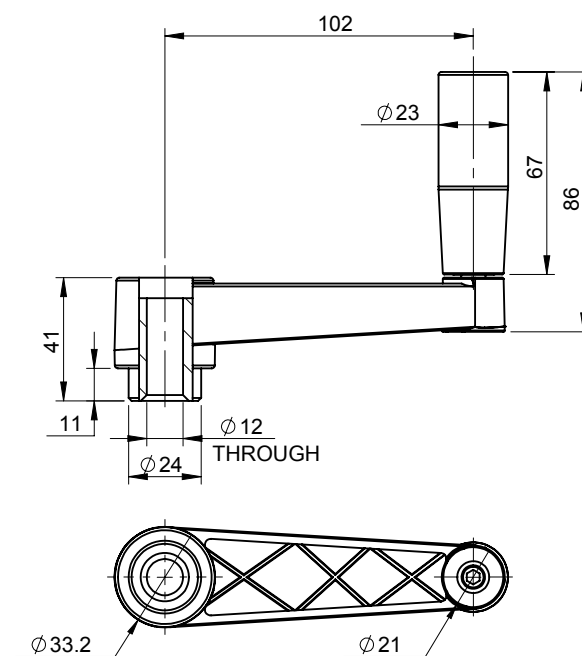
Product Code	Wheel Material	Handle Material	Insert Material	Handle Type
DHC-102-TH-HD	Polyamide	Polyamide	MS	Folding & Revolving

## Handles

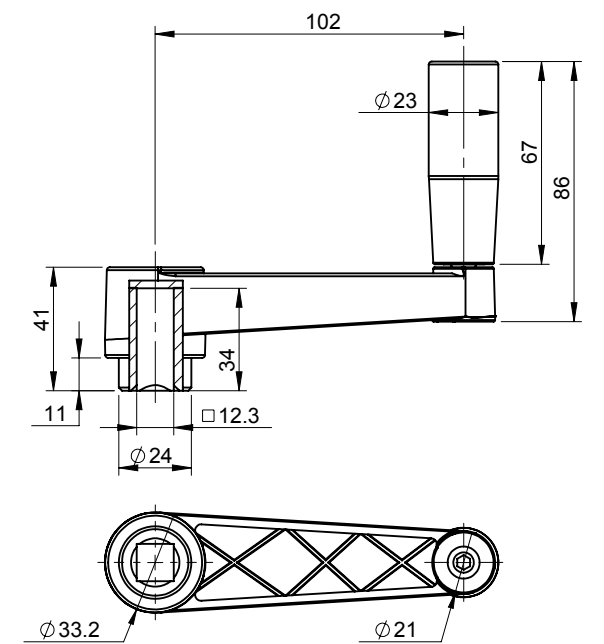
## Crank Handle



Product Code	Wheel Material	Handle Material	Insert Material	Handle Type
DHC-102-SQ-HD	Polyamide	Polyamide	MS	Folding & Revolving



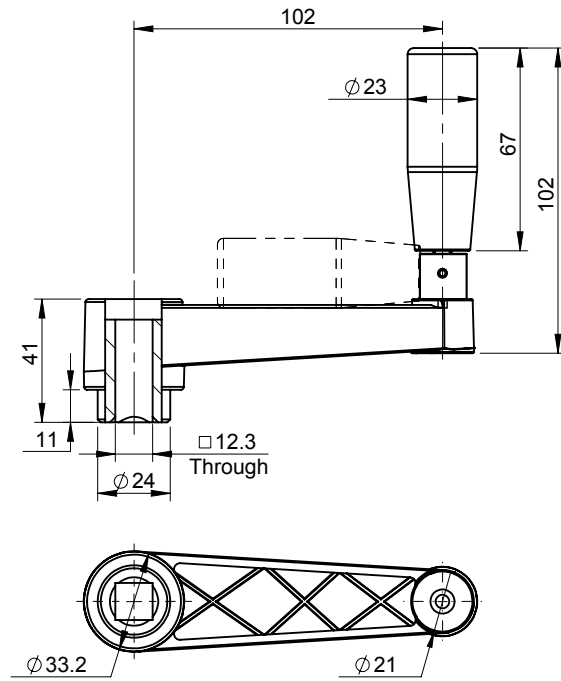
Product Code	Wheel Material	Handle Material	Insert Material	Handle Type
DHC-102-TH-RH	Polyamide	Polyamide	MS	Revolving



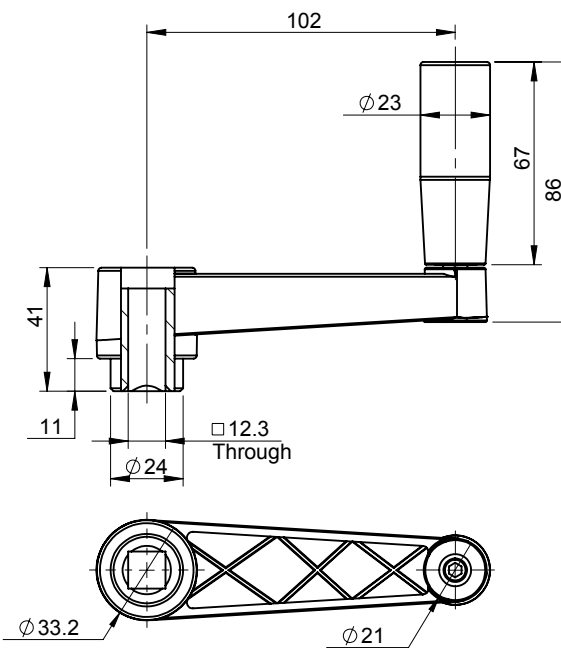
Product Code	Wheel Material	Handle Material	Insert Material	Handle Type
DHC-102-SQ-RH	Polyamide	Polyamide	MS	Revolving

## Handles

## Crank Handle



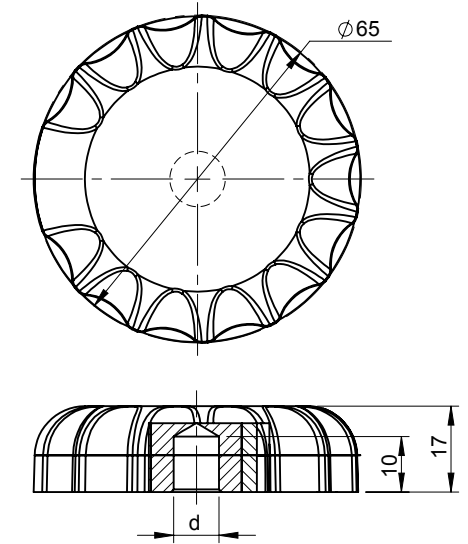
Product Code	Wheel Material	Handle Material	Insert Material	Handle Type
<b>DHC-102-SQTH-HD</b>	Polyamide	Polyamide	MS	Folding & Revolving



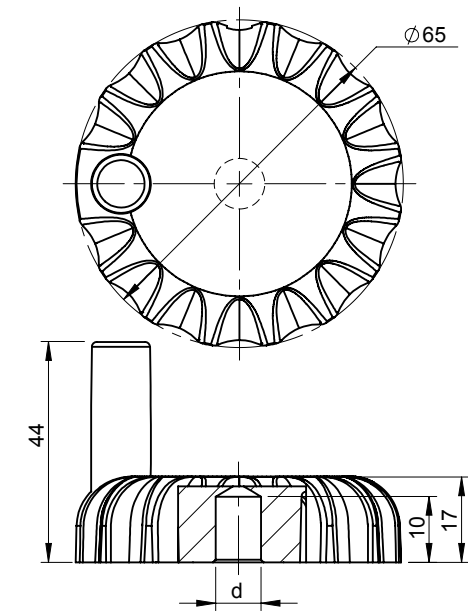
Product Code	Wheel Material	Handle Material	Insert Material	Handle Type
<b>DHC-102-SQTH-RH</b>	Polyamide	Polyamide	MS	Revolving

## Handles

## Hand Wheel



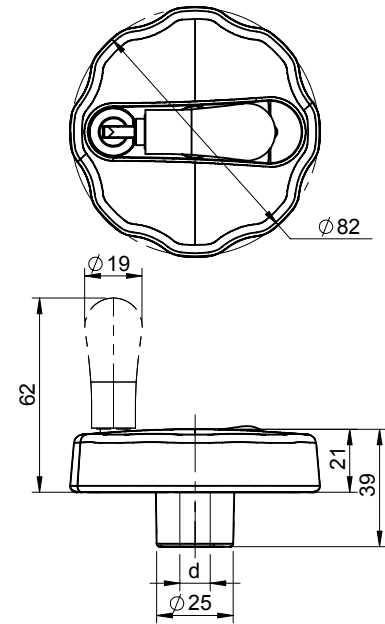
Product Code	Wheel Material	Insert Material	Insert Size (d)
<b>DHWKI-65-08</b>	Polyamide	MS	M8
<b>DHWKI-65-10</b>	Polyamide	MS	M10
<b>DHWKI-65-12</b>	Polyamide	MS	M12
<b>DHWKI-65-Ø10</b>	Polyamide	MS	Ø10



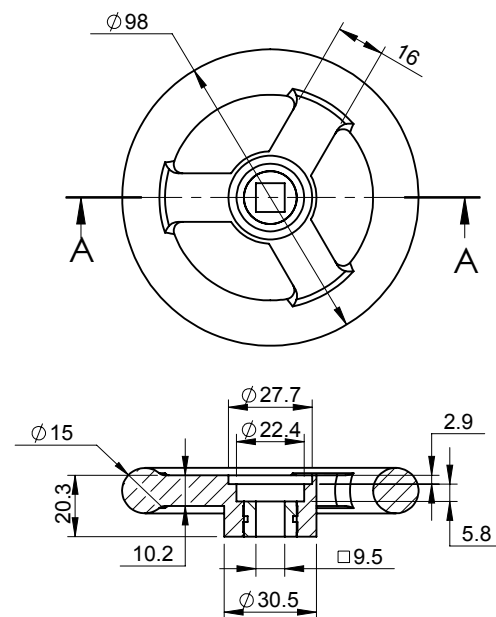
Product Code	Wheel Material	Handle Material	Insert Material	Insert Size (d)	Handle Type
<b>DHWKI-RH-65-08</b>	Polyamide	Polyamide	MS	M8	Revolving
<b>DHWKI-RH-65-10</b>	Polyamide	Polyamide	MS	M10	Revolving
<b>DHWKI-RH-65-12</b>	Polyamide	Polyamide	MS	M12	Revolving
<b>DHWKI-RH-65-Ø8</b>	Polyamide	Polyamide	MS	Ø8	Revolving
<b>DHWKI-RH-65-Ø10</b>	Polyamide	Polyamide	MS	Ø10	Revolving

## Handles

## Hand Wheel



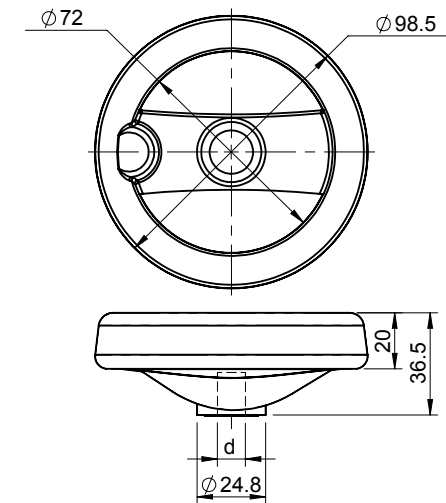
Product Code	Wheel Material	Handle Material	Insert Material	Insert Size (d)	Handle Type
DHW-RHD-82-10	Polyamide	Polyamide	MS	Ø10 (Std)	Revolving & Folding
DHW-RHD-82-12	Polyamide	Polyamide	MS	Ø12	Revolving & Folding



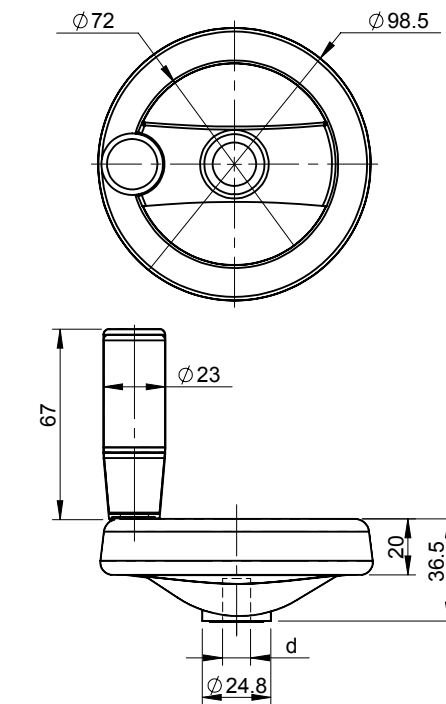
Product Code	Wheel Material	Insert Material
DHW-98-9.5	Polyamide	MS

## Handles

## Hand Wheel



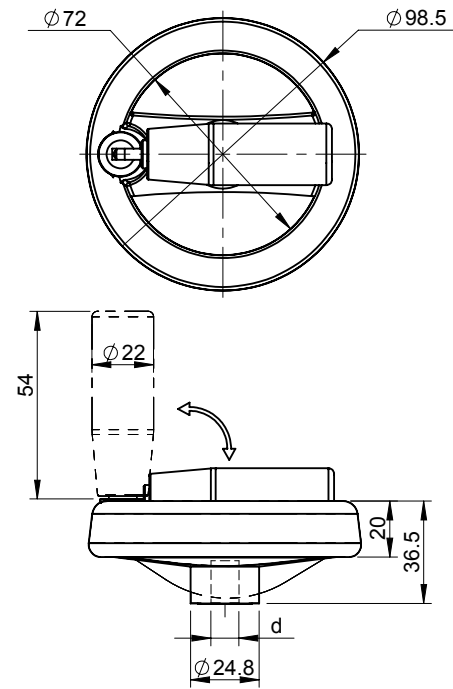
Product Code	Wheel Material	Insert Material	Insert Size (d)
DHW-100-10	Polyamide	MS	Ø10 (Std)
DHW-100-12	Polyamide	MS	Ø12



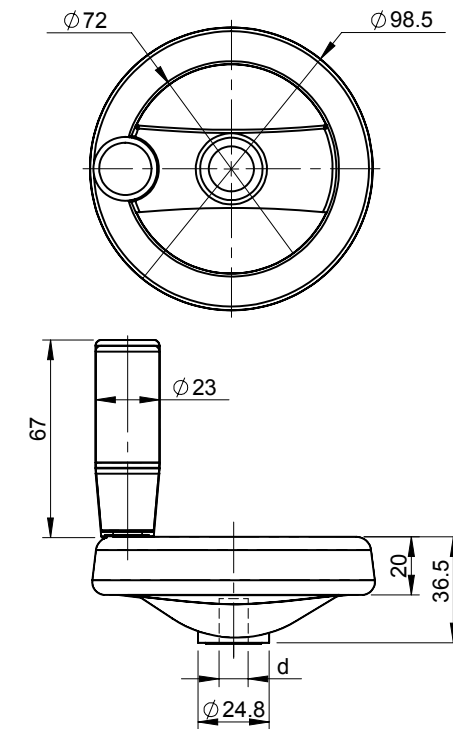
Product Code	Wheel Material	Handle Material	Insert Material	Insert Size (d)	Handle Type
DHW-FH-100-10	Polyamide	Polyamide	MS	Ø10 (Std)	Fixed
DHW-FH-100-12	Polyamide	Polyamide	MS	Ø12	Fixed

## Handles

## Hand Wheel



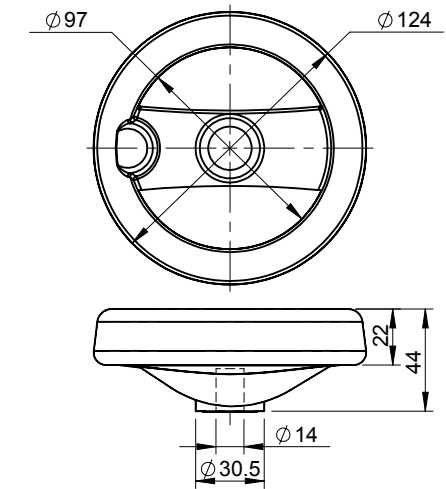
Product Code	Wheel Material	Handle Material	Insert Material	Insert Size (d)	Handle Type
DHW-HD-100-10	Polyamide	Polyamide	MS	Ø10 (Std)	Revolving & Folding
DHW-HD-100-12	Polyamide	Polyamide	MS	Ø12	Revolving & Folding



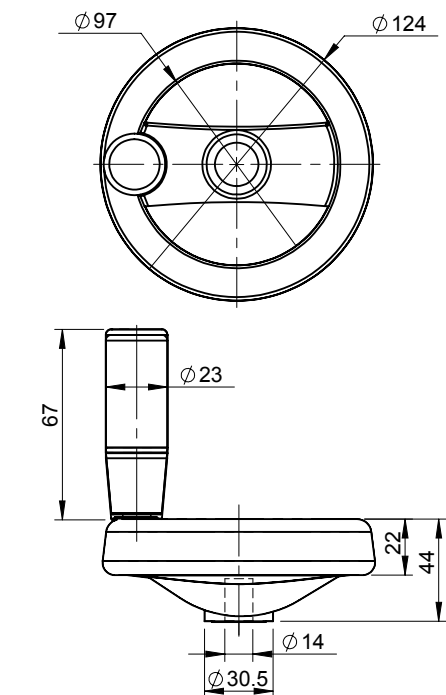
Product Code	Wheel Material	Handle Material	Insert Material	Insert Size (d)	Handle Type
DHW-RH-100-10	Polyamide	Polyamide	MS	Ø10 (Std)	Revolving
DHW-RH-100-12	Polyamide	Polyamide	MS	Ø12	Revolving

## Handles

## Hand Wheel



Product Code	Wheel Material	Handle Material	Insert Material
DHW-124-14	Polyamide	Polyamide	MS

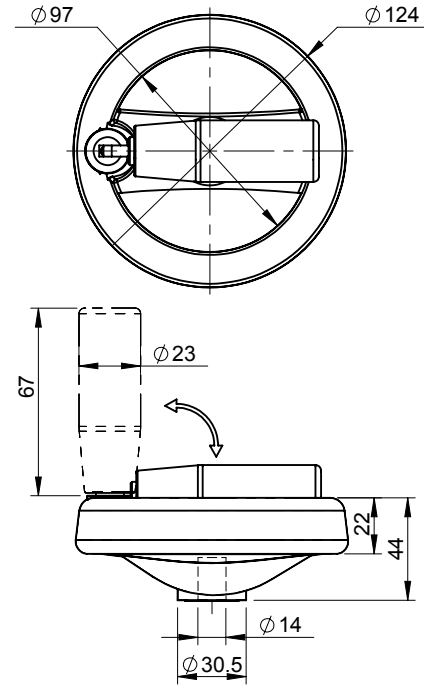


Product Code	Wheel Material	Handle Material	Insert Material	Handle Type
DHW-FH-124-14	Polyamide	Polyamide	MS	Fixed

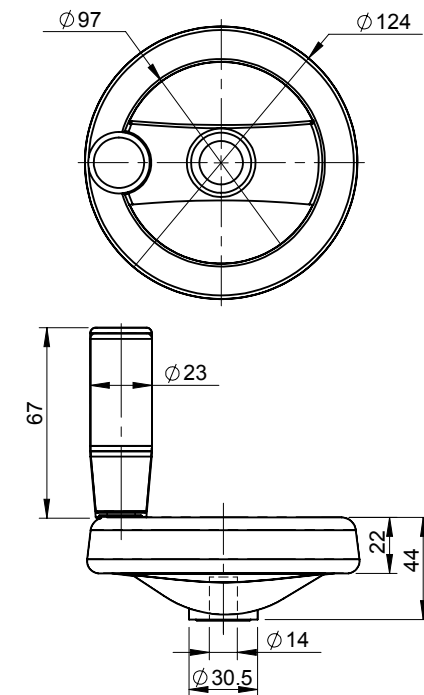


## Handles

## Hand Wheel



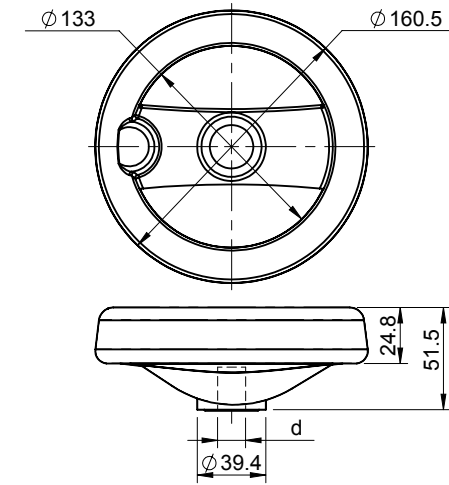
Product Code	Wheel Material	Handle Material	Insert Material	Handle Type
DHW-HD-124-14	Polyamide	Polyamide	MS	Folding & Revolving



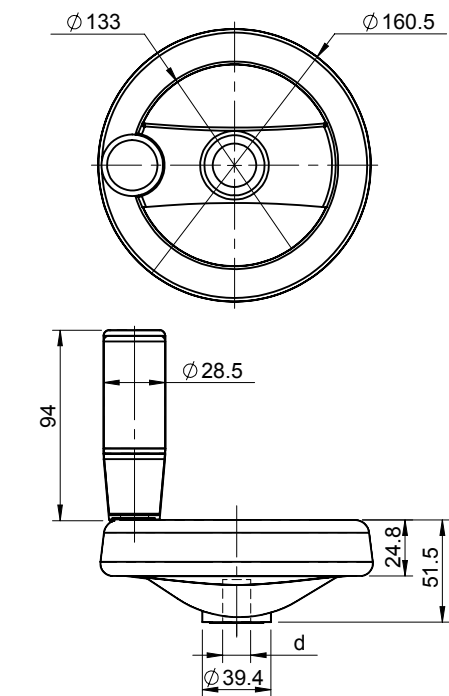
Product Code	Wheel Material	Handle Material	Insert Material	Handle Type
DHW-RH-124-14	Polyamide	Polyamide	MS	Revolving

## Handles

## Hand Wheel



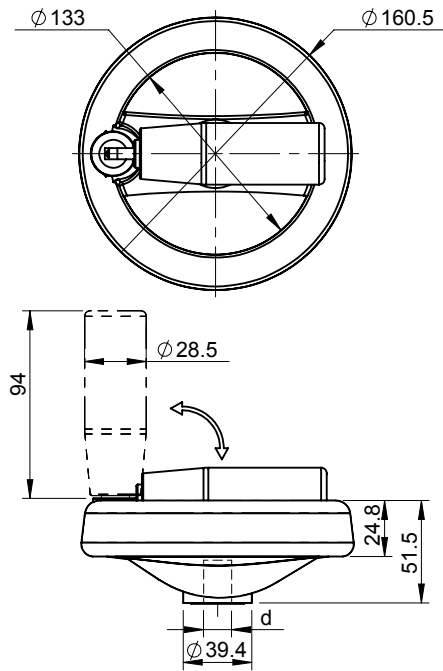
Product Code	Wheel Material	Handle Material	Insert Material	Insert Size (d)
DHW-160-14	Polyamide	Polyamide	MS	Ø14
DHW-160-16	Polyamide	Polyamide	MS	Ø16 (Std)



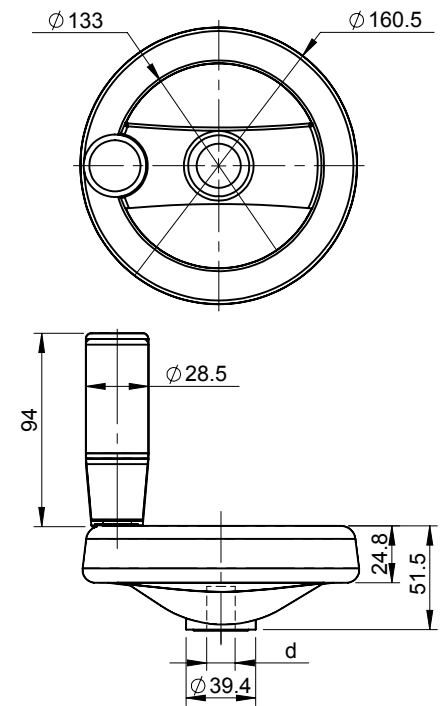
Product Code	Wheel Material	Handle Material	Insert Material	Insert Size (d)	Handle Type
DHW-FH-160-14	Polyamide	Polyamide	MS	Ø14	Fixed
DHW-FH-160-16	Polyamide	Polyamide	MS	Ø16 (Std)	Fixed

## Handles

## Hand Wheel



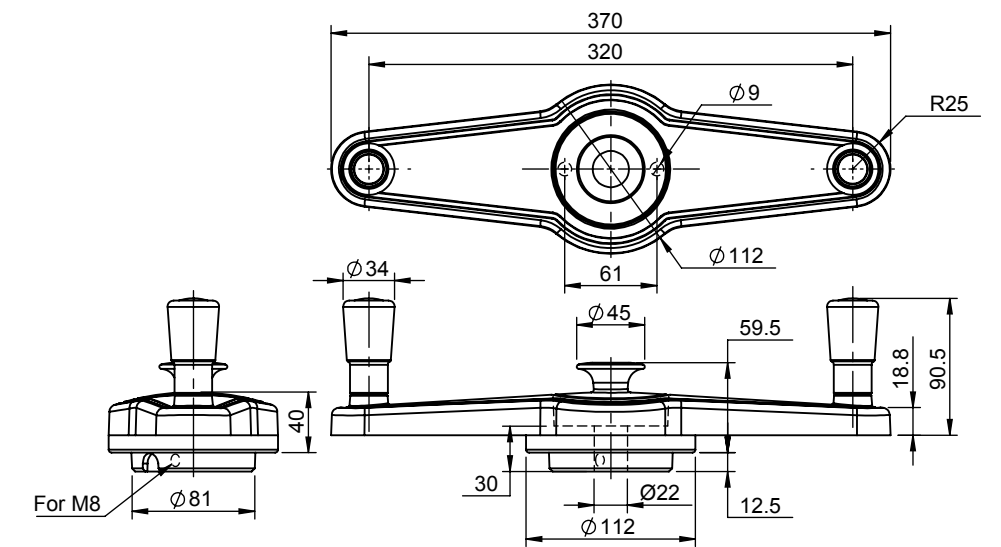
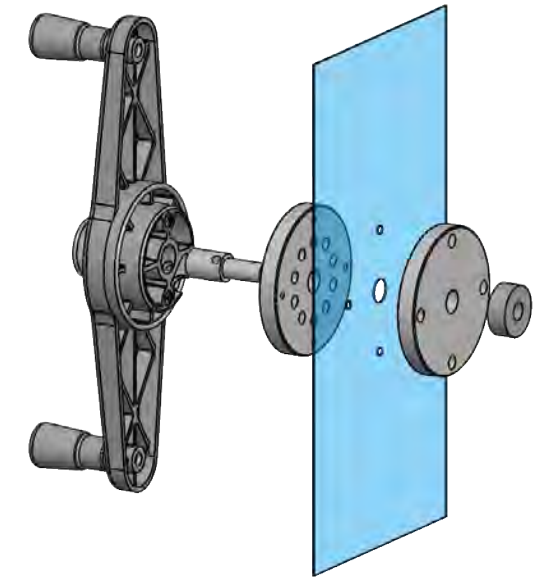
Product Code	Wheel Material	Handle Material	Insert Material	Insert Size (d)	Handle Type
DHW-HD-160-14	Polyamide	Polyamide	MS	Ø14	Folding & Revolving
DHW-HD-160-16	Polyamide	Polyamide	MS	Ø16 (Std)	Folding & Revolving



Product Code	Wheel Material	Handle Material	Insert Material	Insert Size (d)	Handle Type
DHW-RH-160-14	Polyamide	Polyamide	MS	Ø14	Revolving
DHW-RH-160-16	Polyamide	Polyamide	MS	Ø16 (Std)	Revolving

## Handles

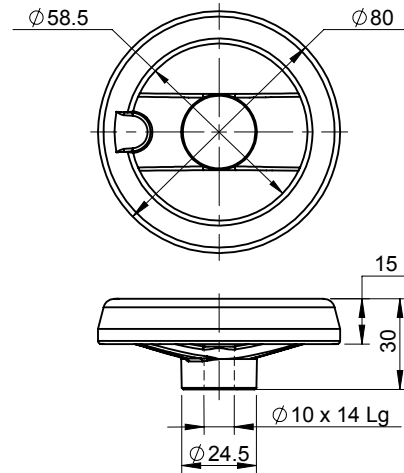
## Hand Wheel



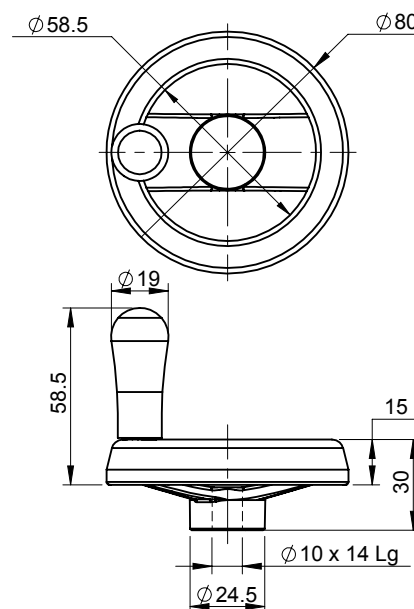
Product Code	Wheel Material	Handle Material	Insert Material	Insert Size	Handle Type
DPSHW-370	Polyamide	Polyamide	MS	Ø22	Revolving
DPSHW-370-Gray	Polyamide	Polyamide	MS	Ø22	Revolving

## Handles

## Hand Wheel



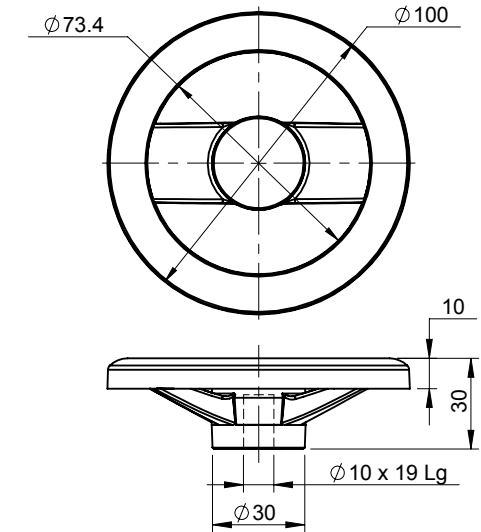
Product Code	Wheel Material	Wheel Finish	Insert Material	Insert Size
<b>DHWA-80-PC</b>	Aluminium	Black PC	MS	Ø10
<b>DHWA-80-STPC</b>	Aluminium	STPC	MS	Ø10



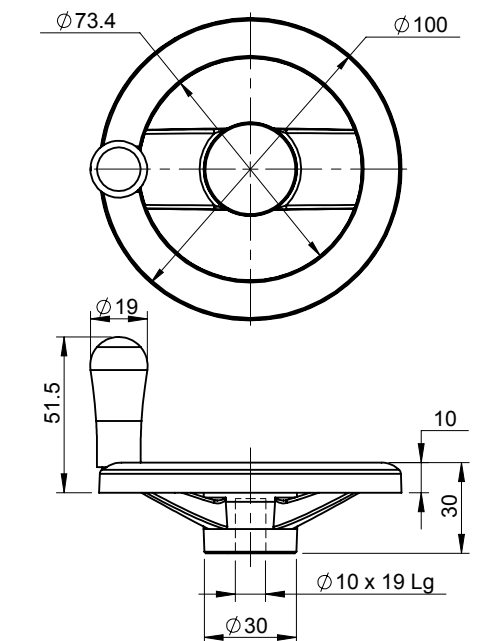
Product Code	Wheel Material	Wheel Finish	Handle Material	Insert Material	Insert Size	Handle Type
<b>DHWA-80-RH-PC</b>	Aluminium	Black PC	Polyamide	MS	Ø10	Revolving
<b>DHWA-80-RH-STPC</b>	Aluminium	STPC	Polyamide	MS	Ø10	Revolving

## Handles

## Hand Wheel



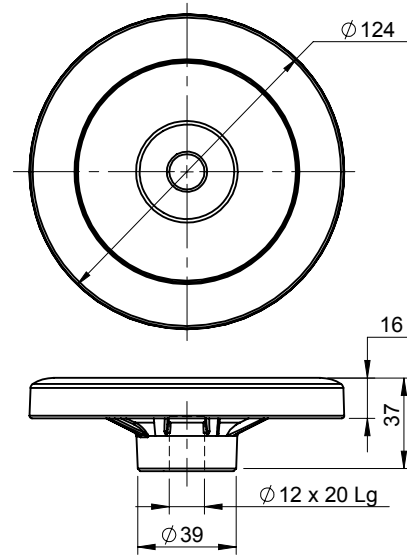
Product Code	Wheel Material	Wheel Finish	Insert Material	Insert Size
<b>DHWA-100-PC</b>	Aluminium	Black PC	MS	Ø10
<b>DHWA-100-STPC</b>	Aluminium	STPC	MS	Ø10



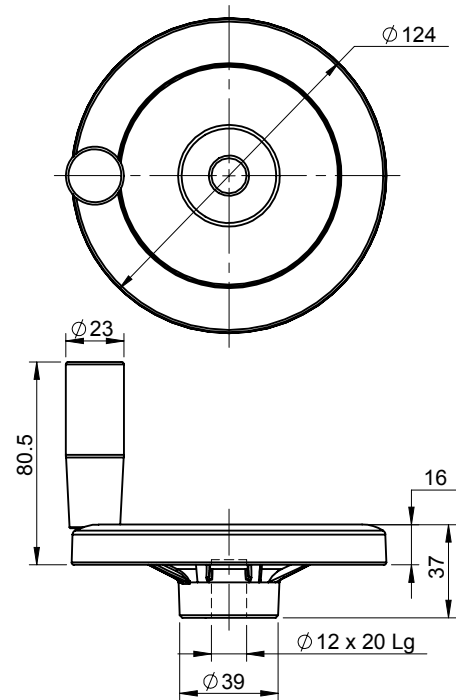
Product Code	Wheel Material	Wheel Finish	Handle Material	Insert Material	Insert Size	Handle Type
<b>DHWA-100-RH-PC</b>	Aluminium	Black PC	Polyamide	MS	Ø10	Revolving
<b>DHWA-100-RH-STPC</b>	Aluminium	STPC	Polyamide	MS	Ø10	Revolving

## Handles

## Hand Wheel



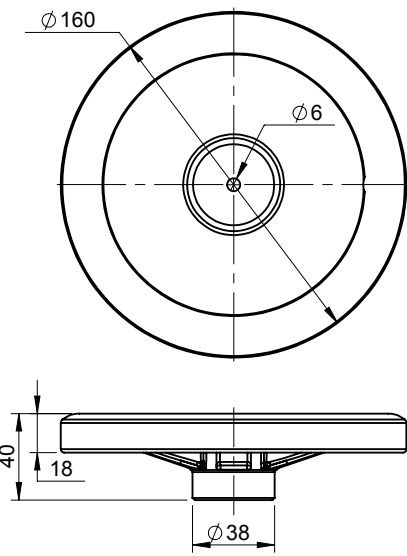
Product Code	Wheel Material	Wheel Finish	Insert Material	Insert Size
<b>DHWA-125-PC</b>	Aluminium	Black PC	MS	$\phi 12.0$
<b>DHWA-125-STPC</b>	Aluminium	STPC	MS	$\phi 12.0$



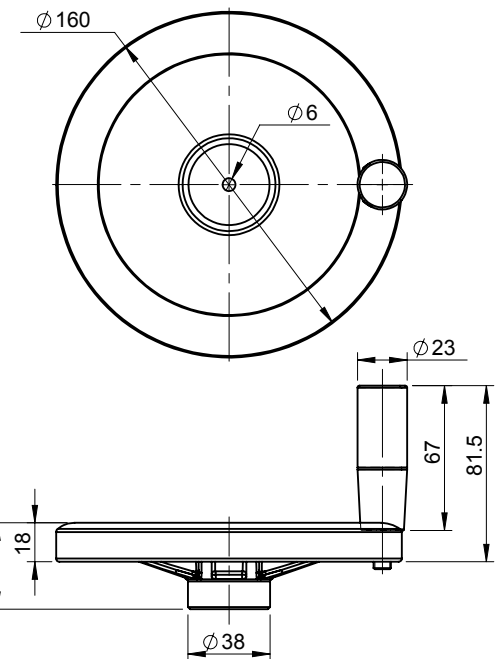
Product Code	Wheel Material	Wheel Finish	Handle Material	Insert Material	Insert Size	Handle Type
<b>DHWA-125-RH-PC</b>	Aluminium	Black PC	Polyamide	MS	$\phi 12.0$	Revolving
<b>DHWA-125-RH-STPC</b>	Aluminium	STPC	Polyamide	MS	$\phi 12.0$	Revolving

## Handles

## Hand Wheel



Product Code	Wheel Material	Wheel Finish	Type of Wheel
<b>DHWA-160-PC</b>	Aluminium	Black PC	Solid Wheel
<b>DHWA-160-STPC</b>	Aluminium	STPC	Solid Wheel

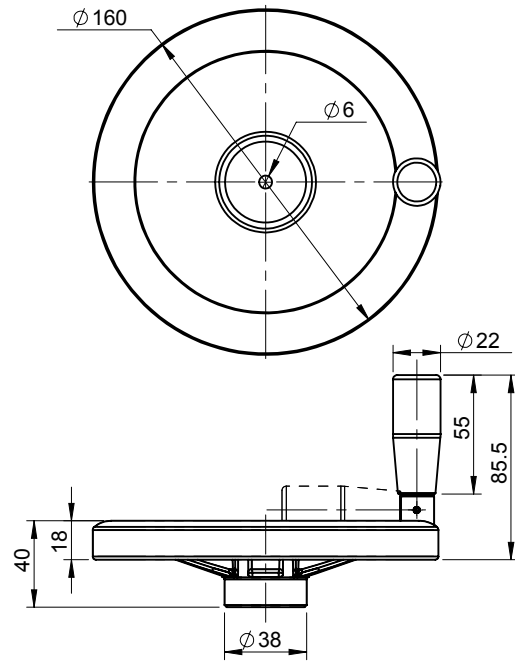


Product Code	Wheel Material	Wheel Finish	Handle Material	Handle Type
<b>DHWA-160-RH-PC</b>	Aluminium	Black PC	Polyamide	Revolving
<b>DHWA-160-RH-STPC</b>	Aluminium	STPC	Polyamide	Revolving

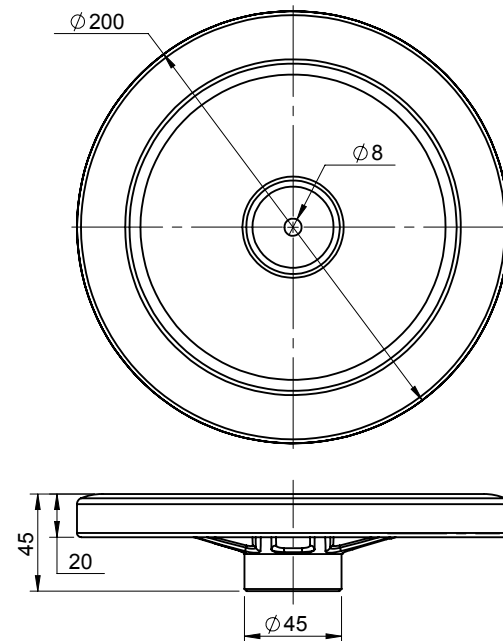


## Handles

## Hand Wheel



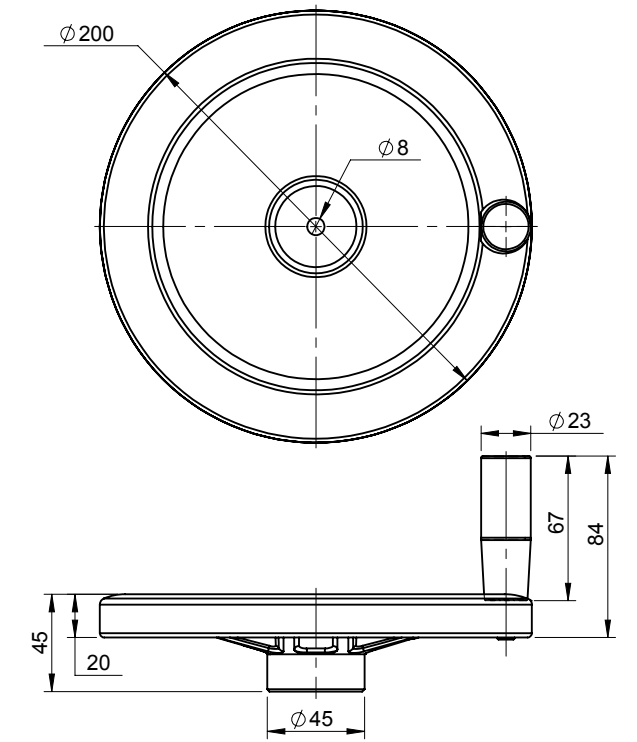
Product Code	Wheel Material	Wheel Finish	Handle Material	Handle Type
DHWA-160-HD-PC	Aluminium	Black PC	Polyamide	Folding & Revolving
DHWA-160-HD-STPC	Aluminium	STPC	Polyamide	Folding & Revolving



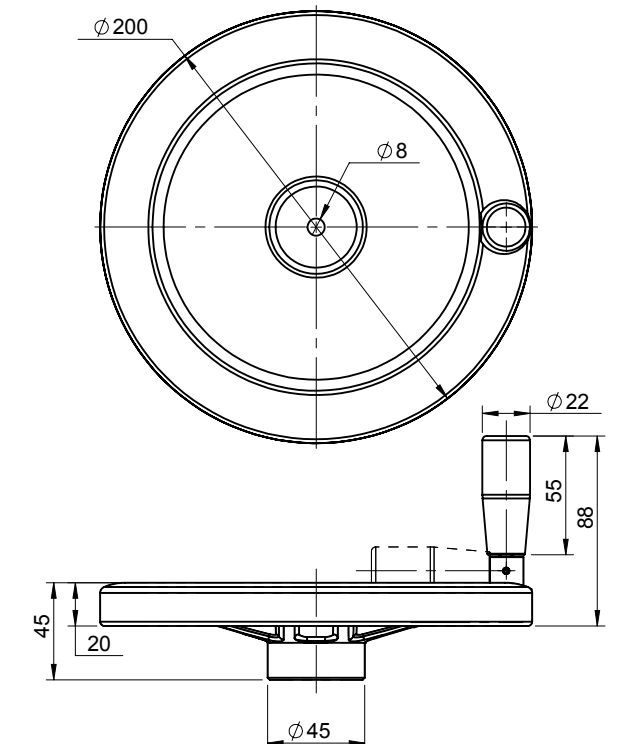
Product Code	Wheel Material	Wheel Finish	Handle Type
DHWA-200-PC	Aluminium	Black PC	Plain
DHWA-200-STPC	Aluminium	STPC	Plain

## Handles

## Hand Wheel



Product Code	Wheel Material	Wheel Finish	Handle Material	Handle Type
DHWA-200-RH-PC	Aluminium	Black PC	Polyamide	Revolving
DHWA-200-RH-STPC	Aluminium	STPC	Polyamide	Revolving

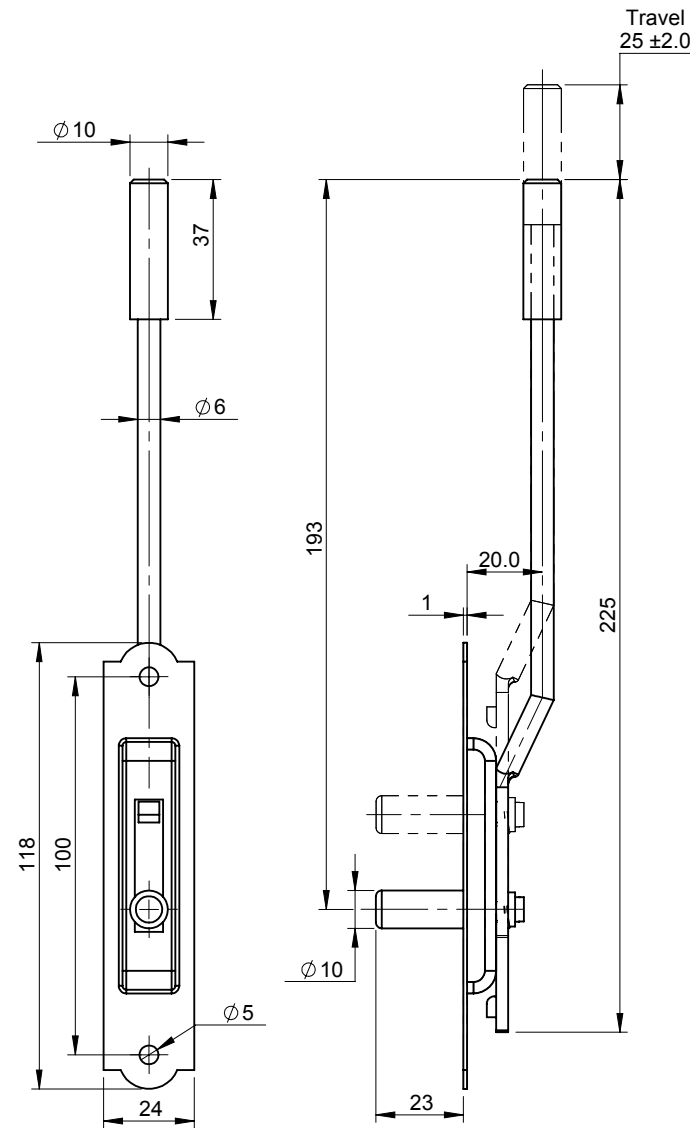
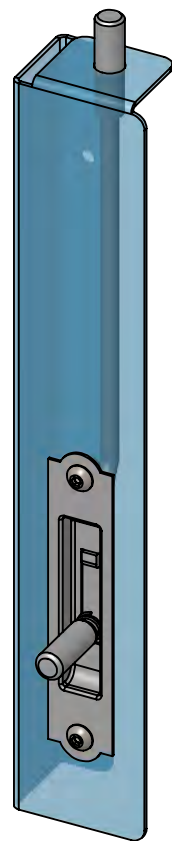


Product Code	Wheel Material	Wheel Finish	Handle Material	Handle Type
DHWA-200-HD-PC	Aluminium	Black PC	Polyamide	Folding & Revolving
DHWA-200-HD-STPC	Aluminium	STPC	Polyamide	Folding & Revolving



# Handles

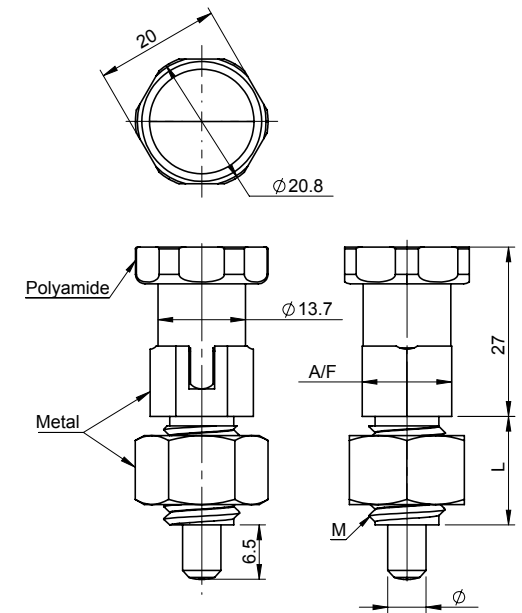
## Door Stopper



Product Code	Material	Rod Diameter	Travel Range	Finish
<b>DMDL-100</b>	MS	$\phi 6.0$	25.0	Nickel Plating

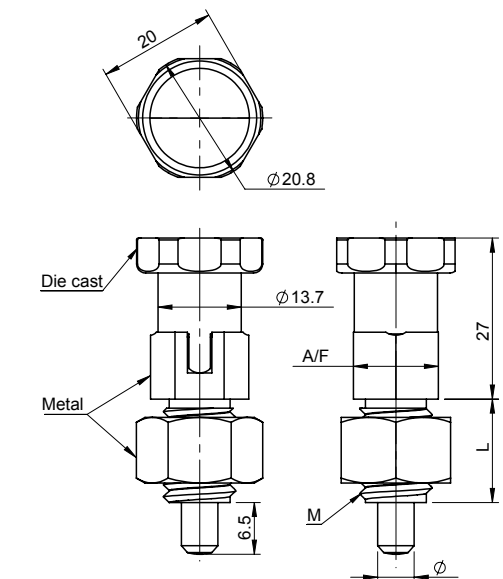
# Handles

## Index Plunger



Product Code	Knob Material	Stud or Insert Material	Stud or Insert Size (M)	Stud or Insert Length (L)	Pin Material	Pin Diameter ( $\phi$ )	Stud A/F
<b>DIPR-20-2710</b>	Polyamide	MS	M10	17	SS-304	$\phi 5.0$	14.0
<b>DIPR-20-2712</b>	Polyamide	MS	M12	17	SS-304	$\phi 6.0$	14.0
<b>DIPR-20-2716</b>	Polyamide	MS	M16	23	SS-304	$\phi 8.0$	19.0

All Studs are Blue Zinc Plating

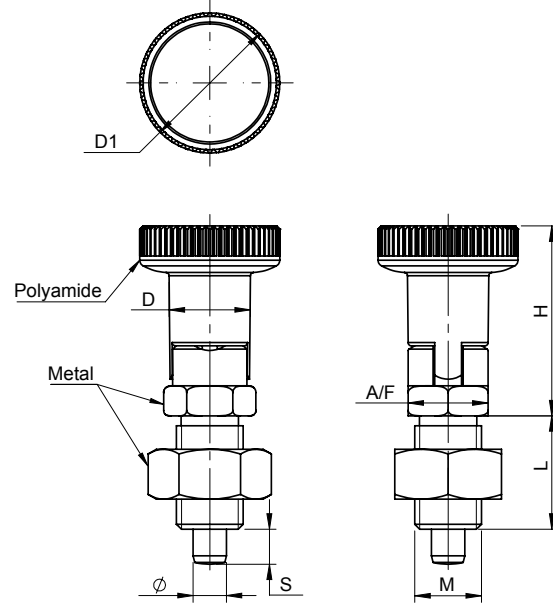


Product Code	Knob Material	Stud or Insert Material	Stud or Insert Size (M)	Stud or Insert Length (L)	Pin Material	Pin Diameter ( $\phi$ )	Stud A/F	Knob Finish
<b>DMIPR-20-2710</b>	Zinc	MS	M10	17	SS-304	$\phi 5.0$	14.0	Black PC
<b>DMIPR-20-2712</b>	Zinc	MS	M12	17	SS-304	$\phi 6.0$	14.0	Black PC
<b>DMIPR-20-2716</b>	Zinc	MS	M16	23	SS-304	$\phi 8.0$	19.0	Black PC

All Studs are Blue Zinc Plating  
Standard : Black PC, Add CH for Chrome Planting

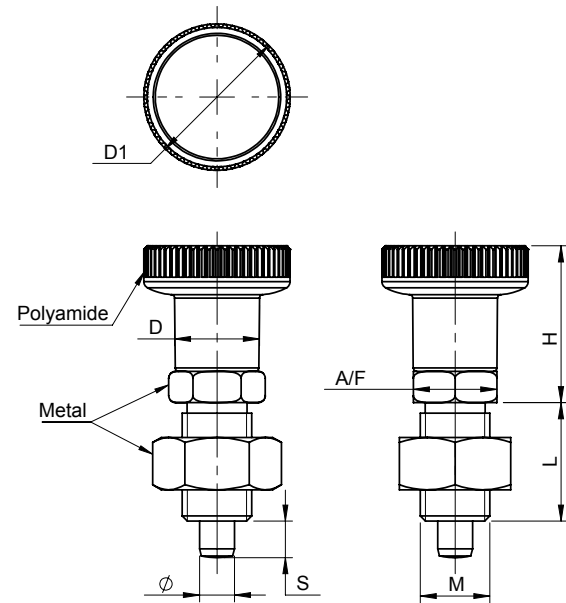
# Handles

## Index Plunger



Product Code	Knob Material	Stud or Insert Material	Stud or Insert Size (M)	Stud Length (L)	Knob Height (h)	Stroke (S)	Pin Material	Pin Diameter (Ø)	Stud A/F	Knob Diameter (D)	Knob Diameter (D1)
DIPR-21-2810	Polyamide	MS	M10	17	28.5	5.0	SS-304	Ø5.0	12.0	Ø12.2	Ø21.0
DIPRF-25-3412	Polyamide	MS	M12	20	34	6.0	SS-304	Ø6.0	14.0	Ø14.2	Ø25.0
DIPR-30-4316	Polyamide	MS	M16	26	43	8.0	SS-304	Ø8.0	19.0	Ø18.3	Ø30.0

All Studs are Blue Zinc Plating



Product Code	Knob Material	Stud or Insert Material	Stud or Insert Size (M)	Stud Length (L)	Knob Height (H)	Stroke (S)	Pin Material	Pin Diameter (Ø)	Stud A/F	Knob Diameter (D)	Knob Diameter (D1)
DIPRF-21-2810	Polyamide	MS	M10	17	22.5	5.0	SS-304	Ø5.0	12.0	Ø12.2	Ø21.0
DIPR-25-3412	Polyamide	MS	M12	20	28	6.0	SS-304	Ø6.0	14.0	Ø14.2	Ø25.0
DIPRF-30-4316	Polyamide	MS	M16	26	34.5	6.0	SS-304	Ø8.0	19.0	Ø18.3	Ø30.0



HANDLES  
 LOCKS  
 LATCHES  
 CONVEYOR COMPONENTS  
 CANOPY  
 THREE POINT  
 HINGES  
 SUPPORT ARM  
 CABLE MANAGEMENT  
 GASKET ACCESSORIES  
 ALUMINIUM SECTIONS

OUTLINE YOUR NEEDS,  
 WE WILL DO THE REST

All rights reserved in favour of  
 Darshana Industries Pvt. Ltd.  
 ©2020